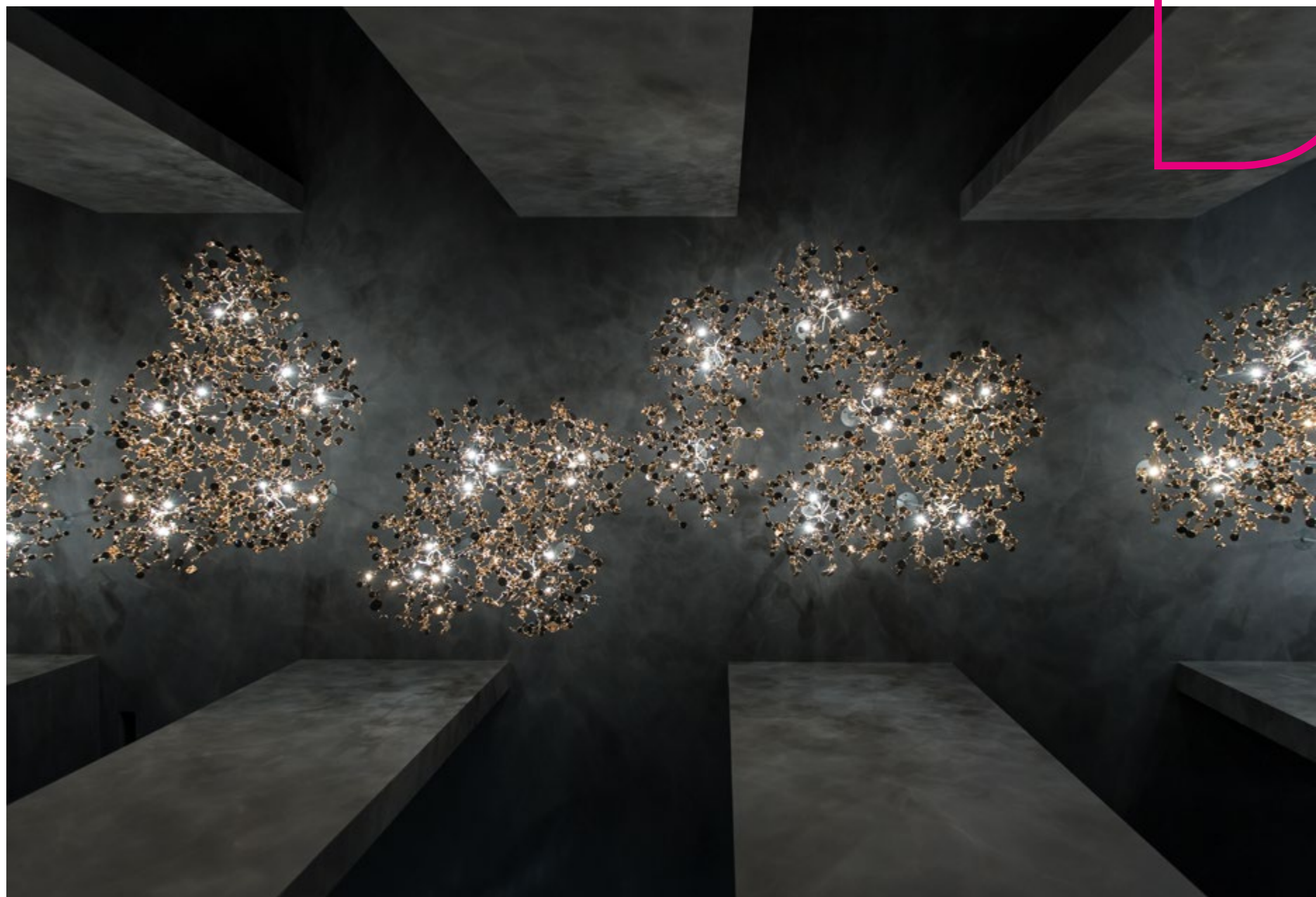


when
light
meets
art

TERZANI
LA LUCE PENSATA



Precious Design



Terzani's Precious Design Concept is luxury evolved. Each piece in this new lighting collection breaks the staid boundaries of traditional luxury, and incorporates stunningly modern design, cutting-edge technology, artisan craftsmanship and precious materials.

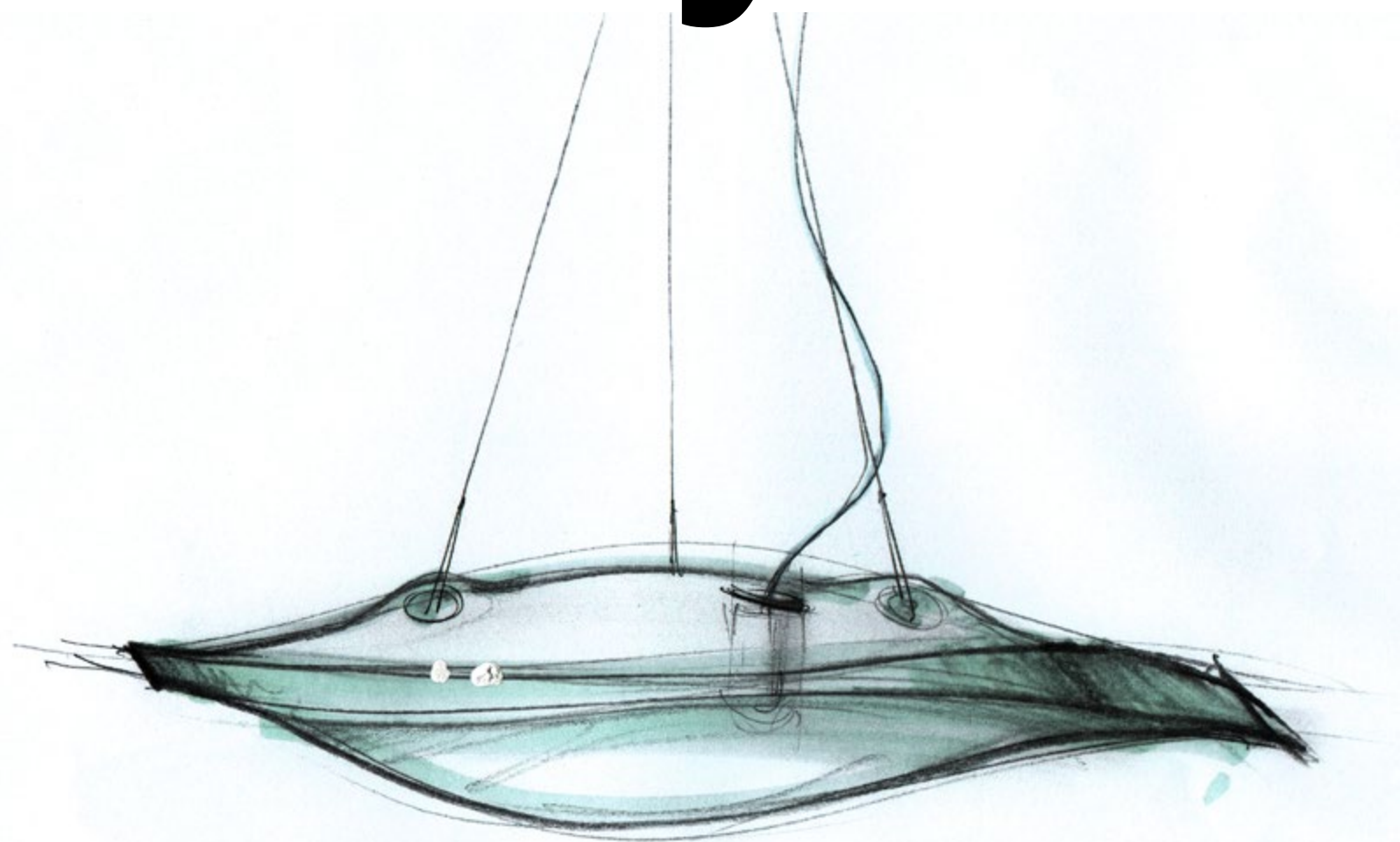
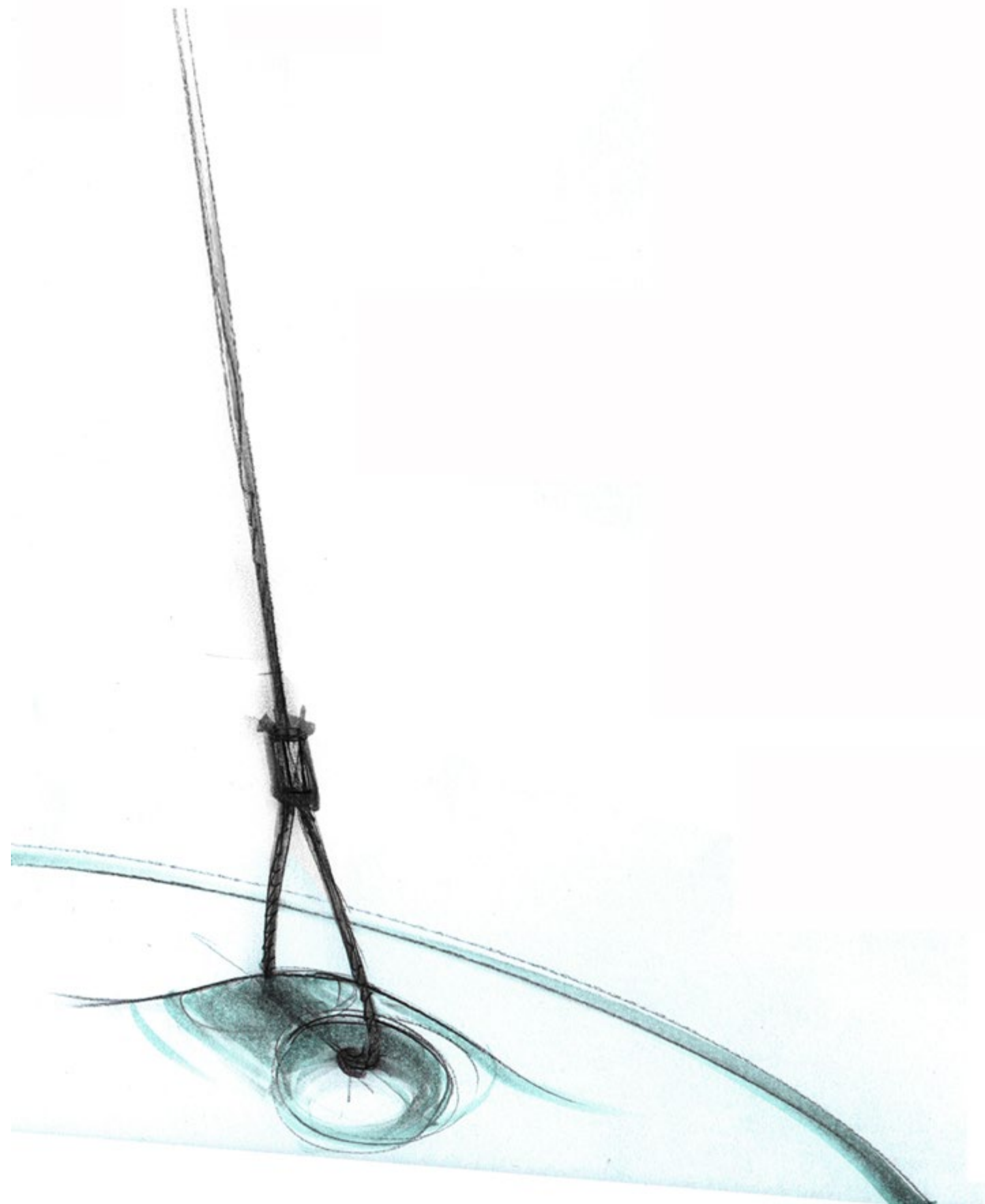
When light meets art

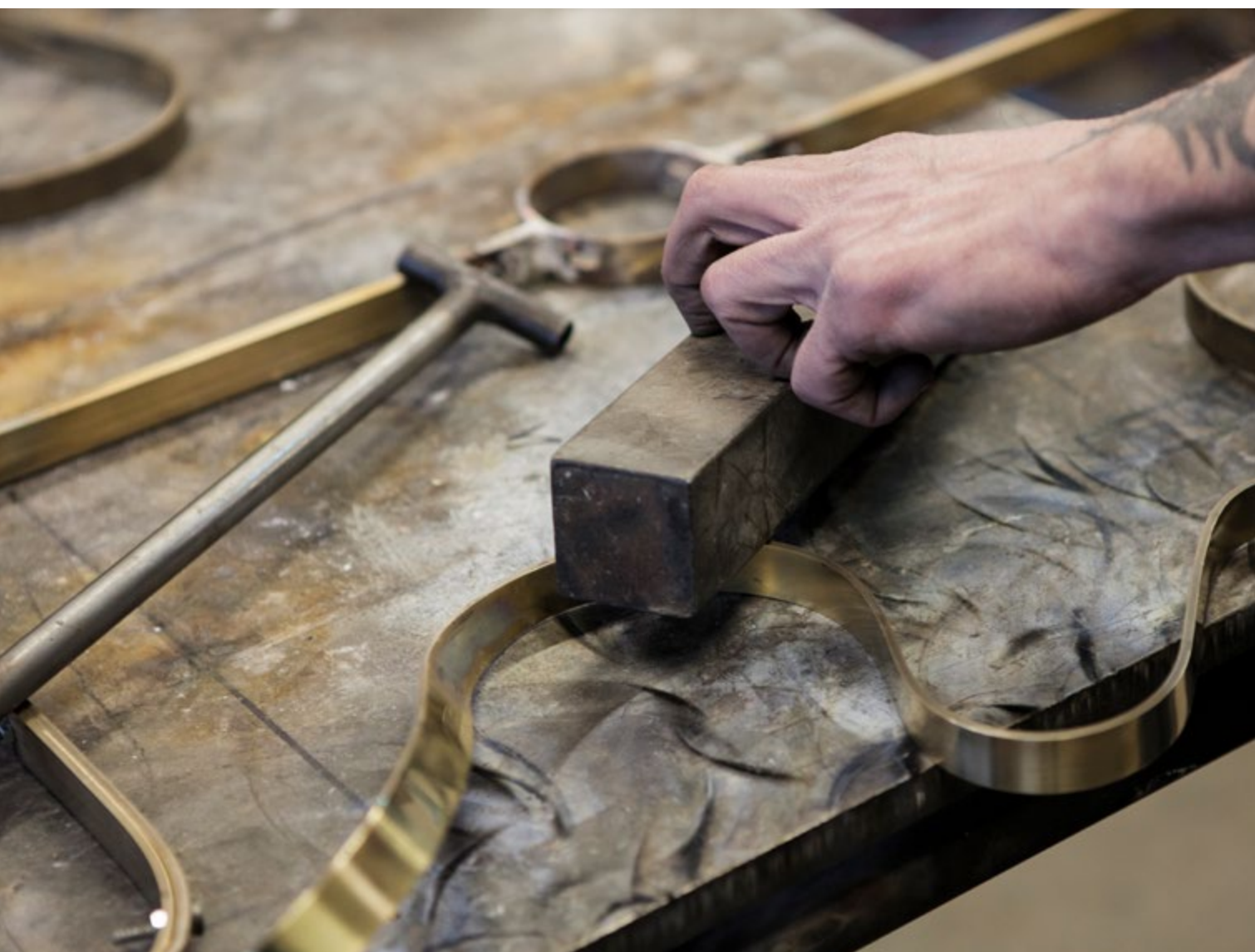
The result are sculptures of light whose illumination transforms spaces through dynamic lighting and shadow effects. They create a new visual language of what luxury is, one that reflects both today's aesthetics, architecture and design traditions yet also pushes towards the future.

Index

188	Abacus
300	Angel Falls
306	Anish
090	Argent
032	Atlantis
362	Bond
290	Calle
262	Core
228	Doodle
022	Epoque
336	Etoile
278	Frame
168	Gaia
350	Glamour
314	G.r.a
366	Hugo
272	Iceberg
246	I Lucci Argentati
358	Magdalena
156	Manta
122	Mizu
218	Moiré
324	Orten'zia
208	Oscar
182	Pug
082	Soscik
056	Stream
344	Tresor
068	Volver
370	Wabi

crea-
tivity



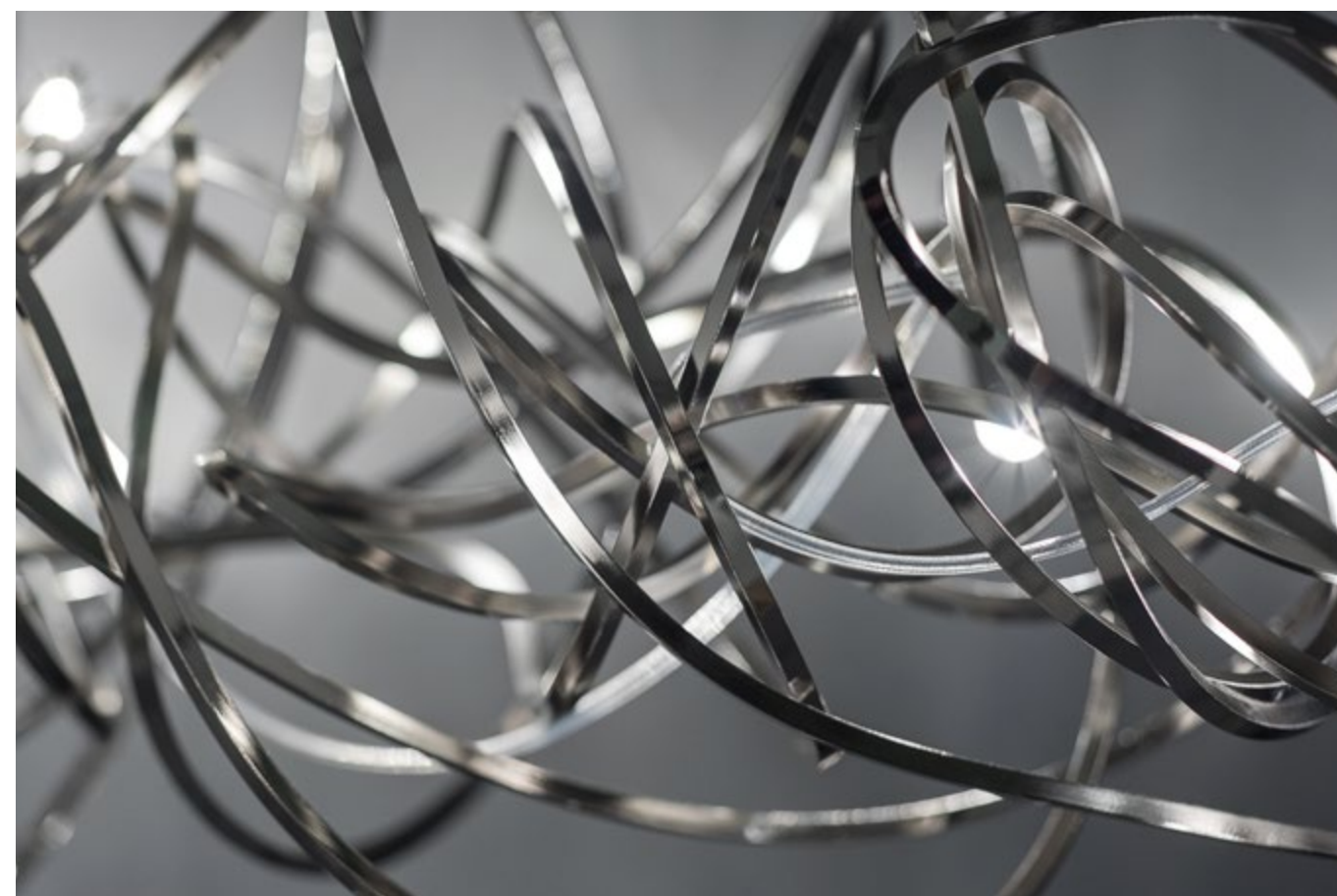


herit-
age





sculp-
tural





contem-
porary





hand-
made





ele-
gan-
ce





e-
motion

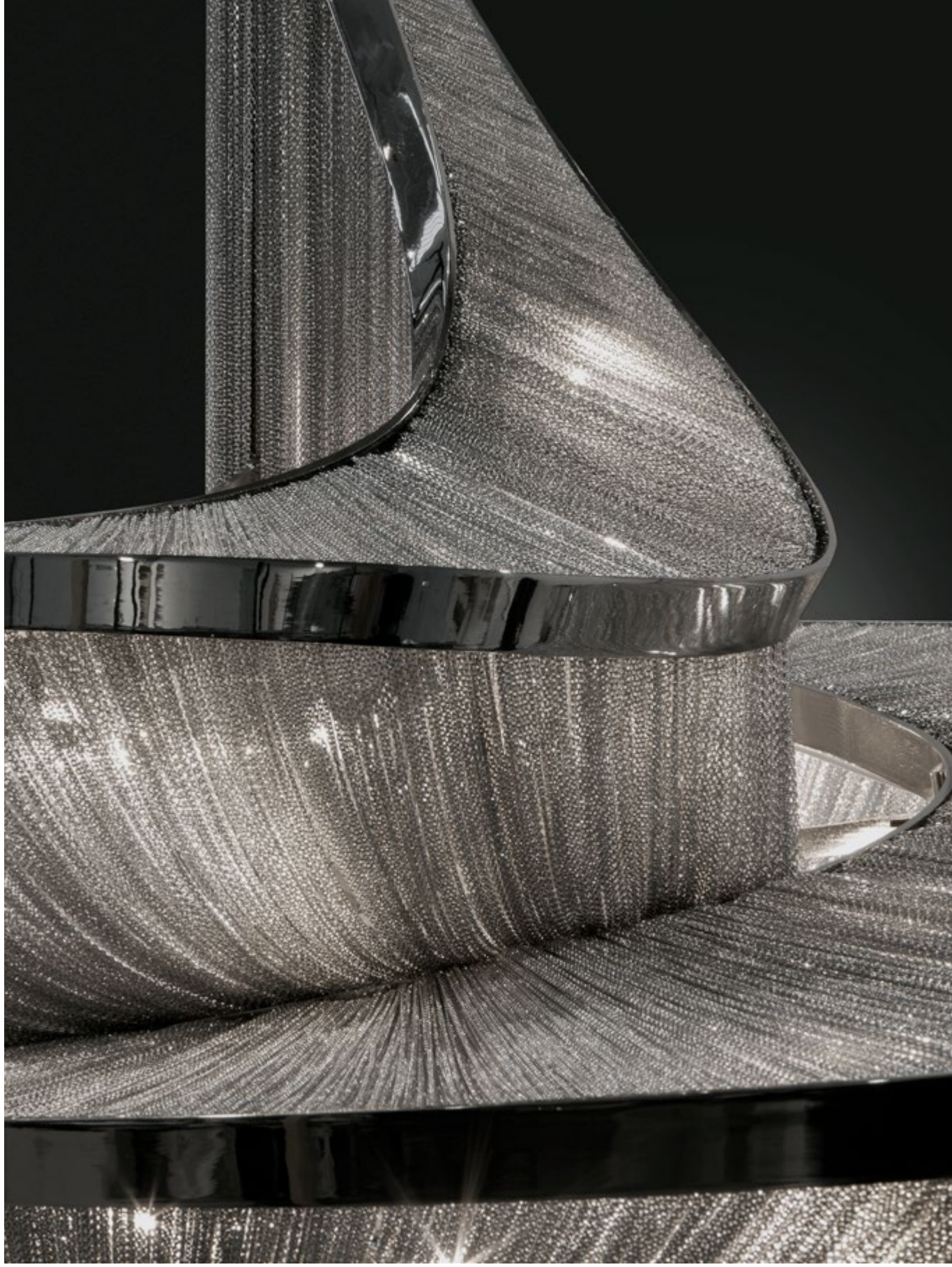


Epoque, Cyclical *Light.*

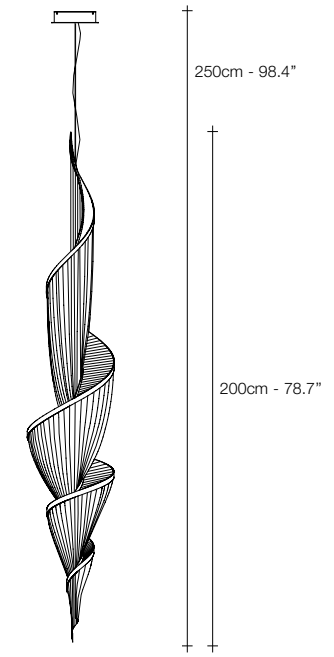
Epoque is a light sculpture designed to study chiaroscuro and volumes. The result is a modern expression of these Renaissance-era techniques in a stunning chandelier. Composed of curved, organic lines, Epoque's frame is made of flexible and durable brass metal, suspended by nickel metal chains. Two bands of metal, a central elongated section and an external band of wide arcs, allows the light to envelop a room in reflections of soft light. Epoque has attracted attention from those in the design community with discerning tastes. Epoque is available in nickel, black nickel, gold and bronze finish. Design Stefano Papi & Saviz Yaghmai.



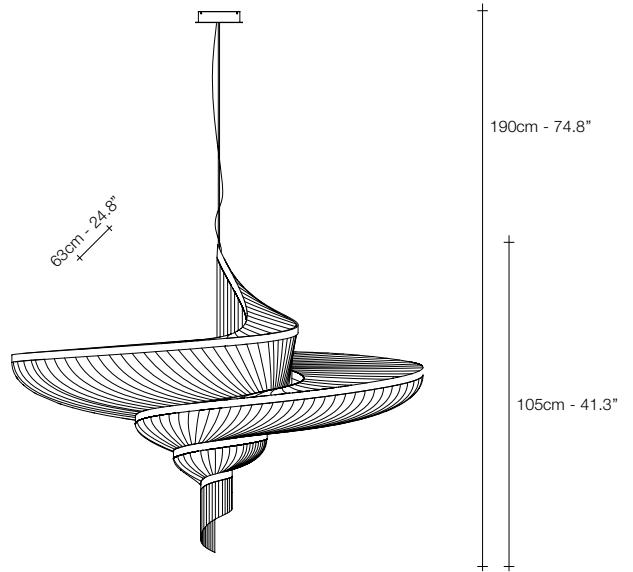








Ø35cm - 13.8"
G91S



63cm - 24.8"
136cm - 53.5"
G90S



INTEGRATED LED		G91S	G90S
230V	LED	12x2.1W 2880lm	20x2.1W 4800lm
	Dimmer	0/1-10V PUSH/DALI	PUSH DALI
120V	LED	12x2.1W 2880lm	20x2.1W 4800lm
	Dimmer	0/1-10V PUSH/DALI	1-10V PWM 10-100KΩ

Epoque can be manufactured to work with 3000K or 2700K LED. Different dimming options on request



Atlantis, a precious *wave.*

Seemingly alive, Atlantis' shimmering light creates a vibrant source of energy. Its mesmerizing, organic effect is created by hundreds of illuminated lengths of draped, nickel chain. Like water in the ocean, Atlantis' chains appear liquid, cascading over its gloss nickel bands and falling down towards the abyss before turning back into itself. Atlantis is composed of almost three miles of chain, meticulously hand-crafted by master italian artisans. Atlantis is available in nickel, black nickel, bronze, gold and champagne finish. Design Barlas Baylar.













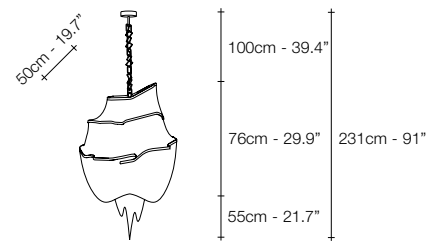




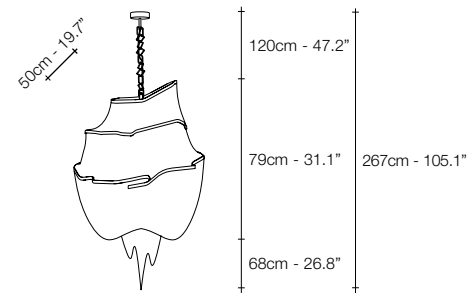




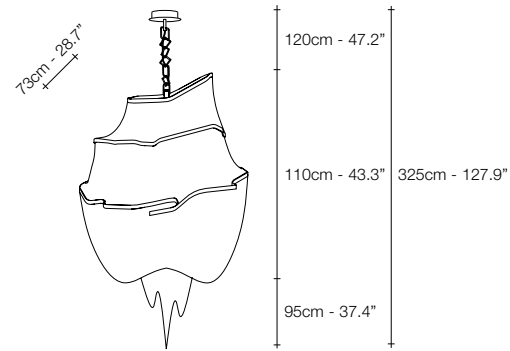





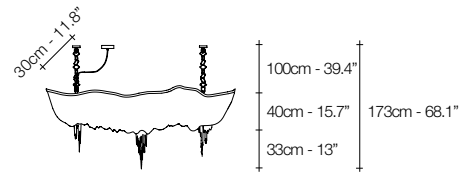
A13S 



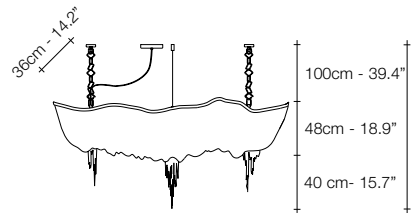
A14S 



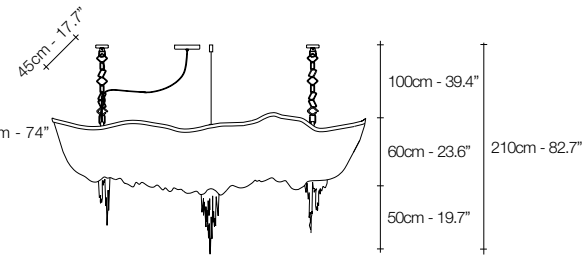
A15S 



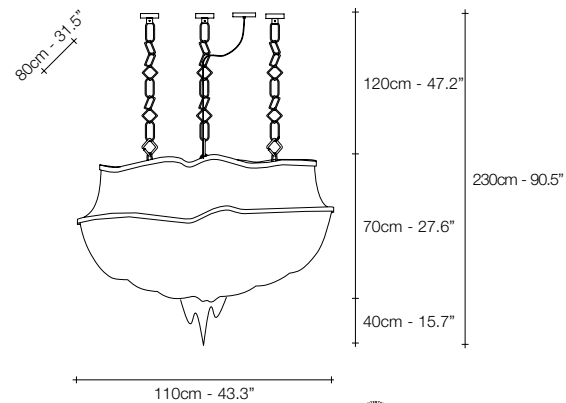
A18S 



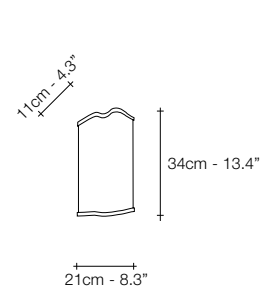
A17S 



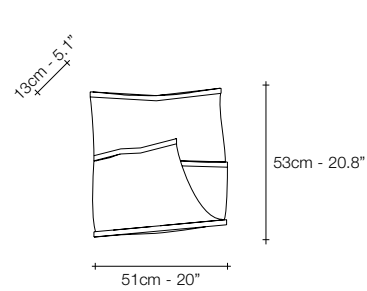
A16S 



J01S 



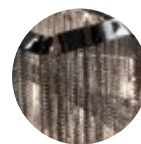
J04A 



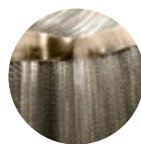
J03A 



NICKEL



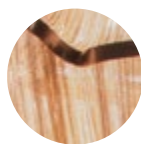
BLACK NICKEL



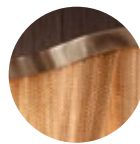
BRONZE





GOLD PLATED



CHAMPAGNE



BRUSHED CHAMPAGNE

	RECOMMENDED BULB	A13S	A14S	A15S	A18S	A17S	A16S	J01S	J04A	J03A
230V	 E14 LED	6x6W	8x6W	8x6W	8x6W	10x6W	10x6W	8x6W	2x6W	4x6W
	Dimmable with all systems	-	-	-	-	-	-	-	-	-
120V	 E12 LED	6x5.5W	8x5.5W	8x5.5W	8x5.5W	10x5.5W	10x5.5W	10x5.5W	2x5.5W	4x5.5W
	Dimmable with all systems	-	-	-	-	-	-	-	-	-



Stream, Iridescent *Light.*

A stunning design from Christian Lava, Stream is an impressive presence in any room. Stream's design exploits the physical characteristics of the materials used to envelop a room in a unique, immersive light. Here, an elegant thin metal chain appear to flow down from the undulating, nickel-plated frame. These cascading tiers project a streaking, yet tranquil, shadow throughout the room. Design Christian Lava.

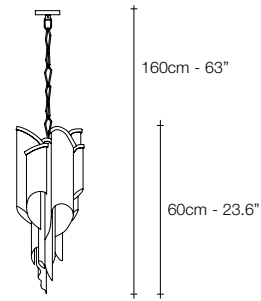




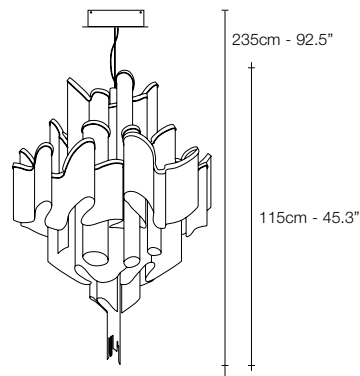




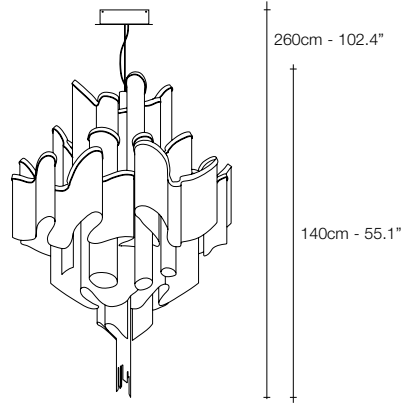




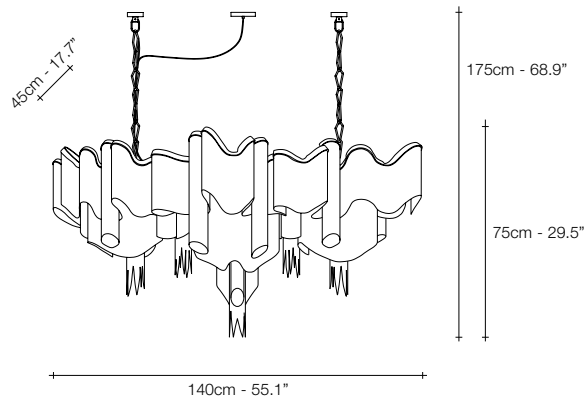
J54S



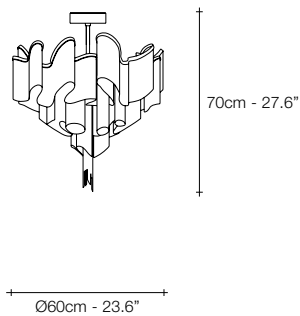
J51S



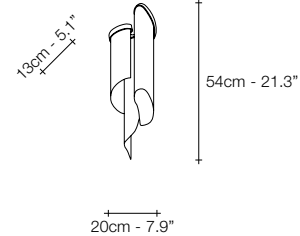
J50S



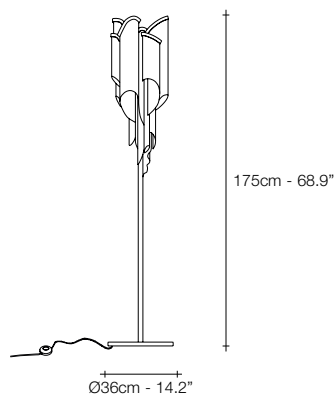
J52S



J70L



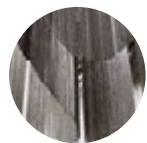
J60A



J65P



NICKEL



BLACK NICKEL



GOLD PLATED

RECOMMENDED BULB	J51S	J50S	RECOMMENDED BULB	J54S	J52S	J70L	RECOMMENDED BULB	J60A	J65P
230V E14 LED GU10 LED	18x4W 5W	20x4W 5W	230V G9 LED GU10 LED	4x3.5W 5W	12x3.5W 3x5W	8x3.5W 5W	230V E14 LED	2x6W	6x6W
Dimmable with all systems	-	-	Dimmable with all systems	-	-	-	Dimmable with all systems	-	integrated
120V E12 LED GU10 LED	18x4W 6W	20x4W 6W	120V G9 LED GU10 LED	4x4W 6W	12x4W 3x6W	8x4W 6W	120V E12 LED	2x5.5W	6x5.5W
Dimmable with all systems	-	-	Dimmable with all systems	-	-	-	Dimmable with all systems	-	integrated

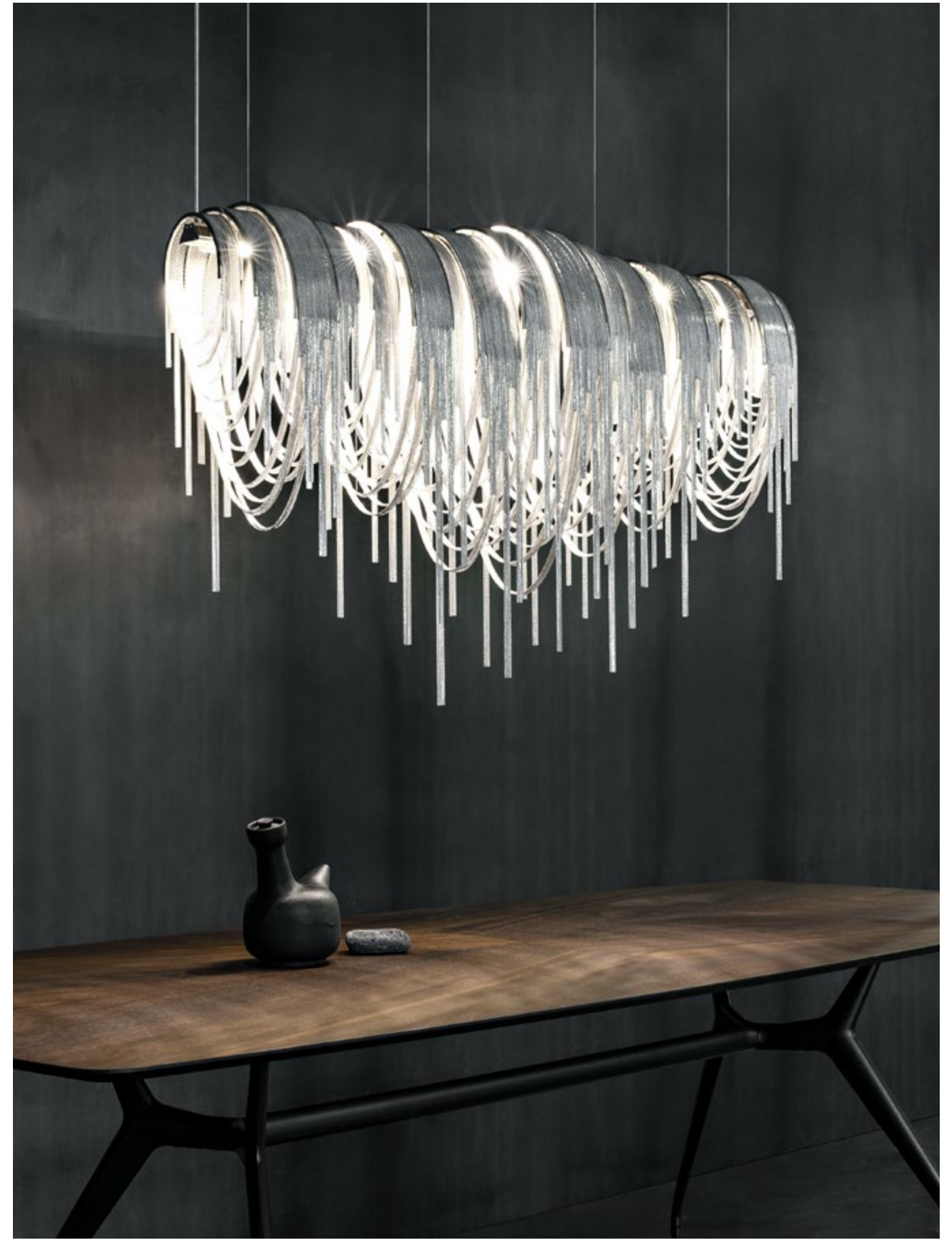


Volver, Breath of new *Light.*

At Terzani, we are fortunate to work with some of the brightest young stars in Italian design. For Volver, designer Diego Bassetti and architect Andrea Panzieri of Studio 14, protégés of Bruno Rainaldi, applied their multidisciplinary approach to create Terzani's first LED suspension light. This geometric design combines thin nickel chains with the latest in LED technology to create a light that is both elegant and modern. A breath of new light, Volver melds technology and art to achieve a new level of luxury. Available in a circular variation. Design Studio 14.

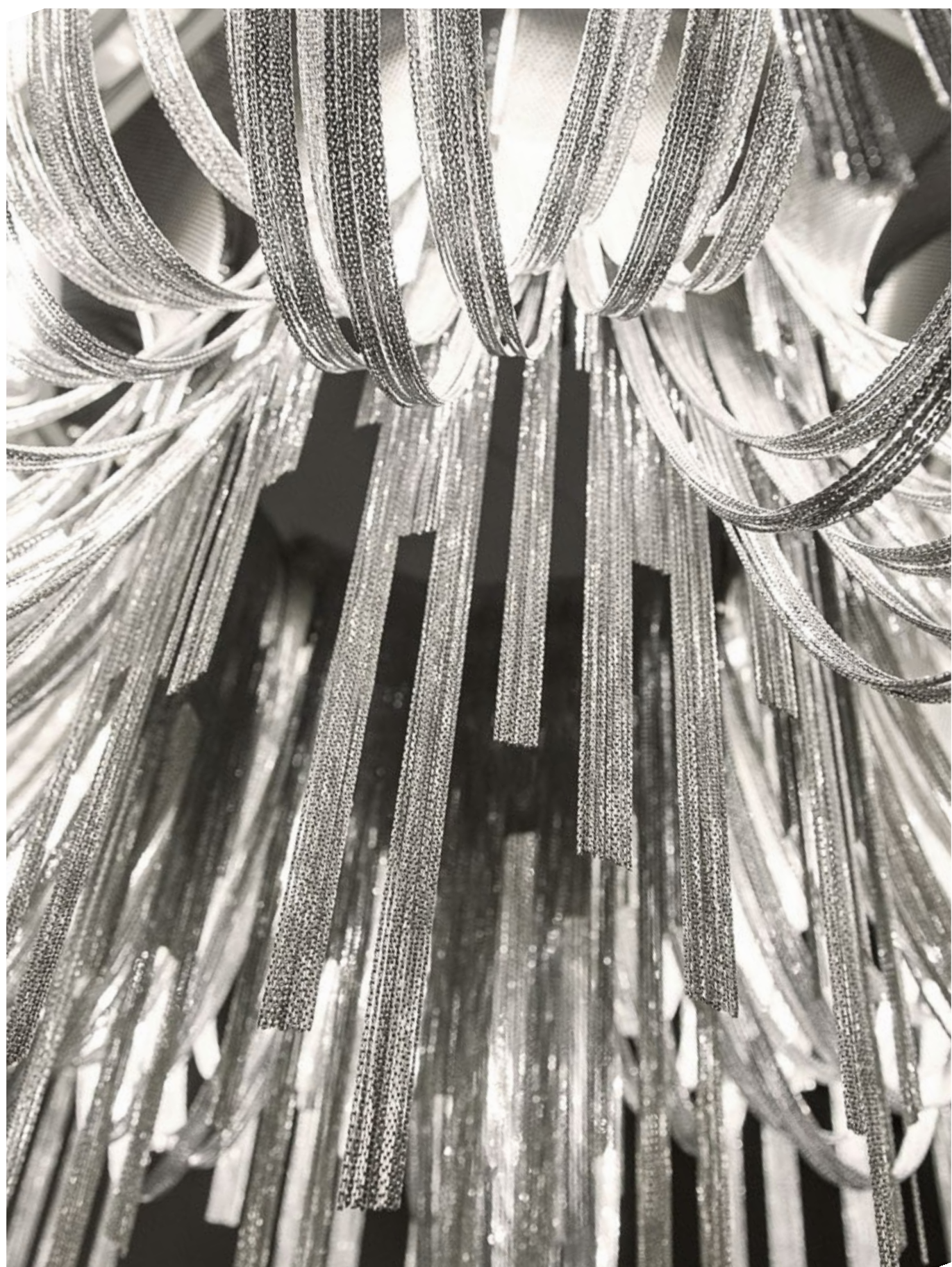


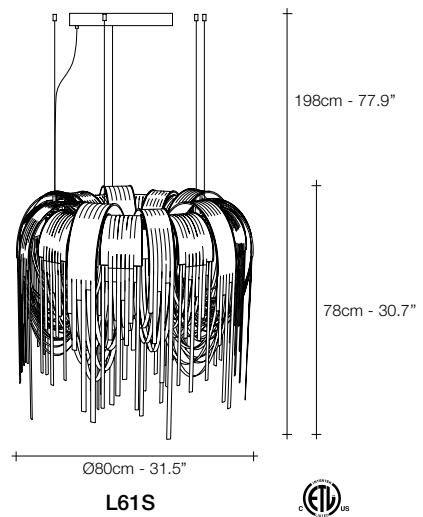
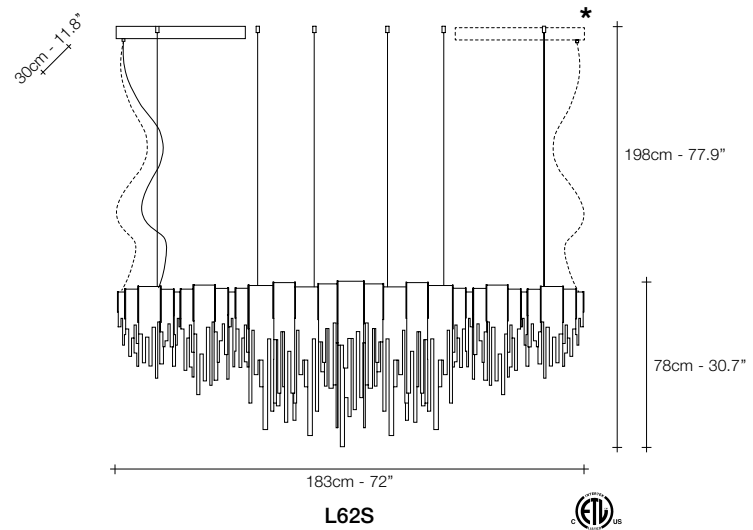
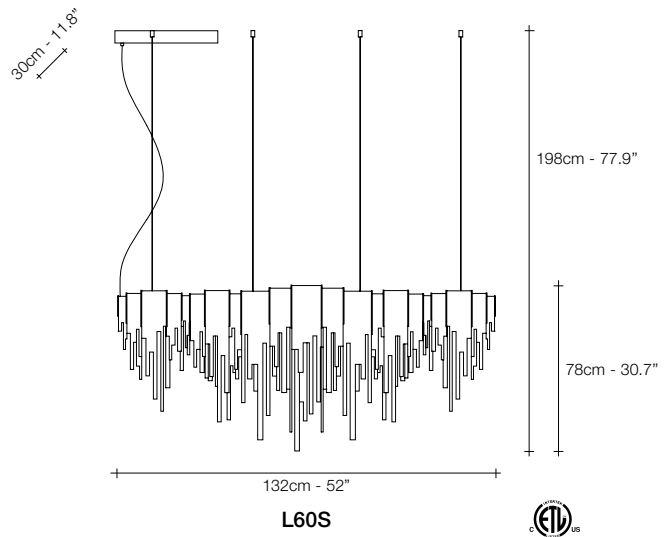
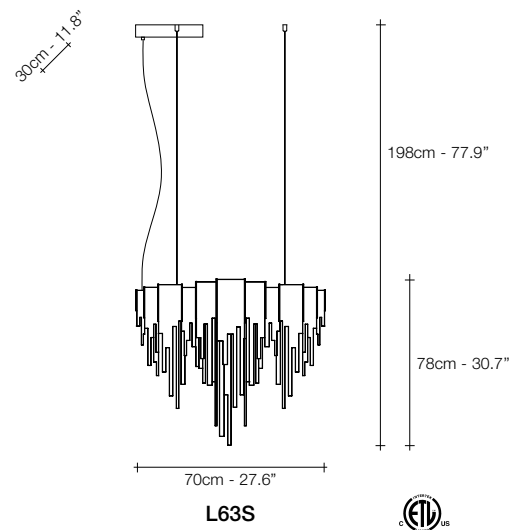












	INTEGRATED LED	L63S	L60S	L62S	L61S
230V	LED BOARD	7x4.5W	10x4.5W	20x4.5W	10x4.5W
	CRI 90	4650lm	6650lm	13300lm	6650lm
	Dimmer	1-10V PWM 10-100kΩ PUSH/DALI	0-10V PUSH/DALI	0-10V PUSH/DALI	0-10V PUSH/DALI
120V	LED BOARD	7x4.5W	10x4.5W	20x4.5W	10x4.5W
	CRI 90	4650lm	6650lm	13300lm	6650lm
	Dimmer	1-10V PWM 10-100kΩ	0/1-10V	0/1-10V	0/1-10V

Volver can be manufactured to work with integrated LED 3000K or 2700K. Different dimming options on request.
 * Only 120V version has two canopies.



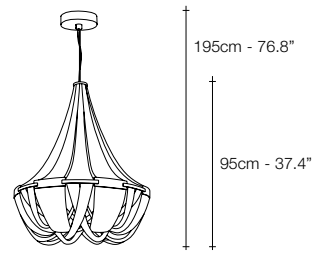
Soscik, Classic form, *Modern look.*

Reinventing the classics. With Soscik, Terzani combines traditional, artisan techniques with cutting edge technology to give the traditional chandelier a modern update. Over the plated frame, Soscik creates a dramatic and romantic effect, while still being able to compliment today's modern luxury. Available as a chandelier or a ceiling lamp, Soscik proves that modern design does not have to sacrifice luxury. Design Nicolas Terzani.

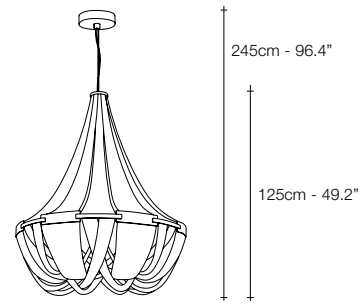




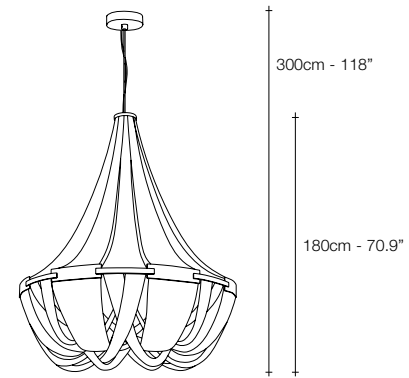




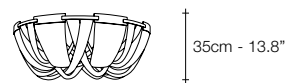
Ø72cm - 28.4"
G55S



Ø100cm - 39.4"
G56S



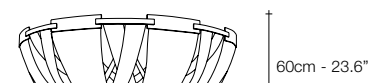
Ø145cm - 57.1"
G57S



Ø72cm - 28.4"
G60L



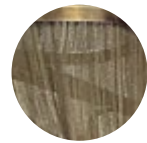
Ø100cm - 39.4"
G61L



Ø145cm - 57.1"
G62L



NICKEL



BRONZE



GOLD PLATED



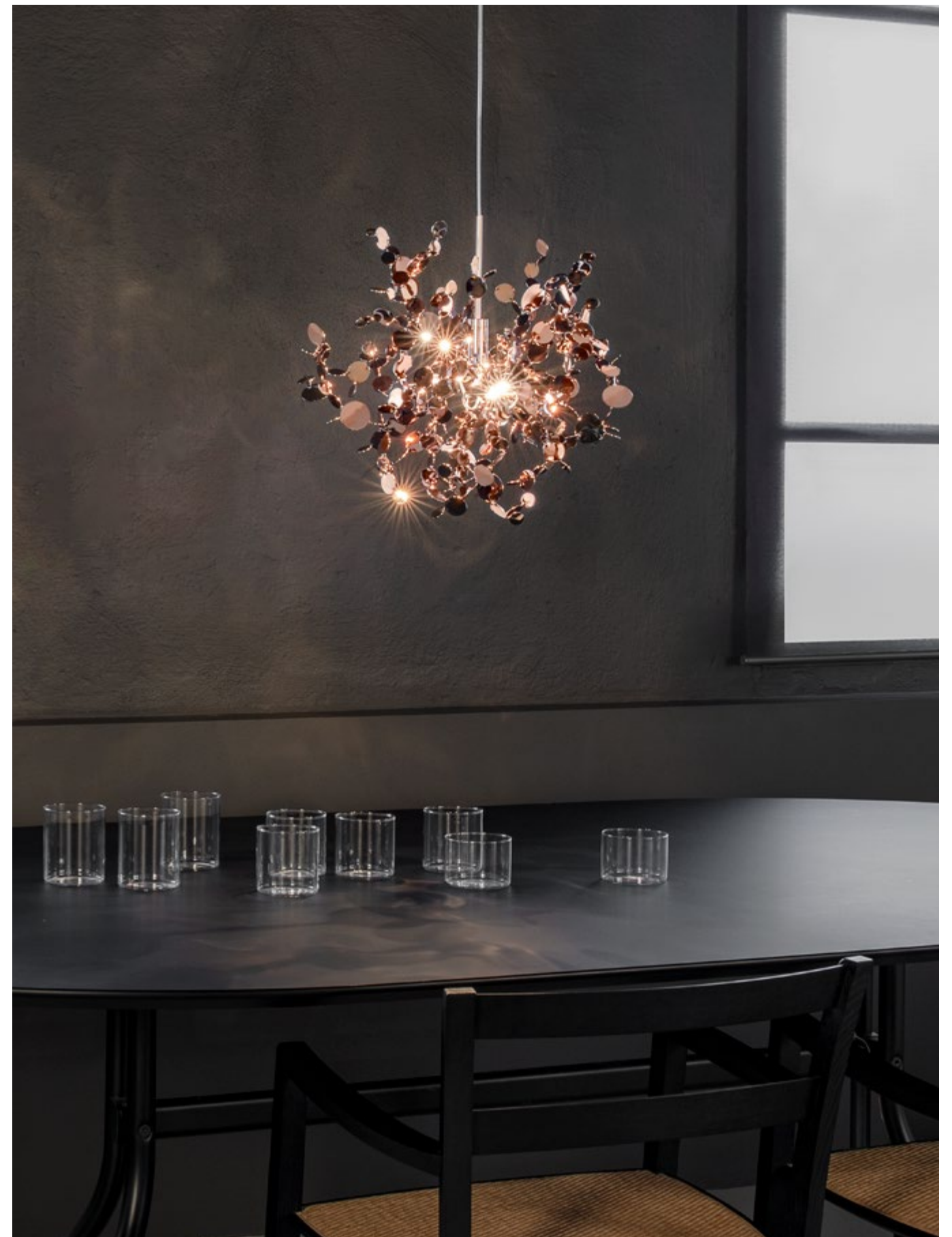
CHAMPAGNE

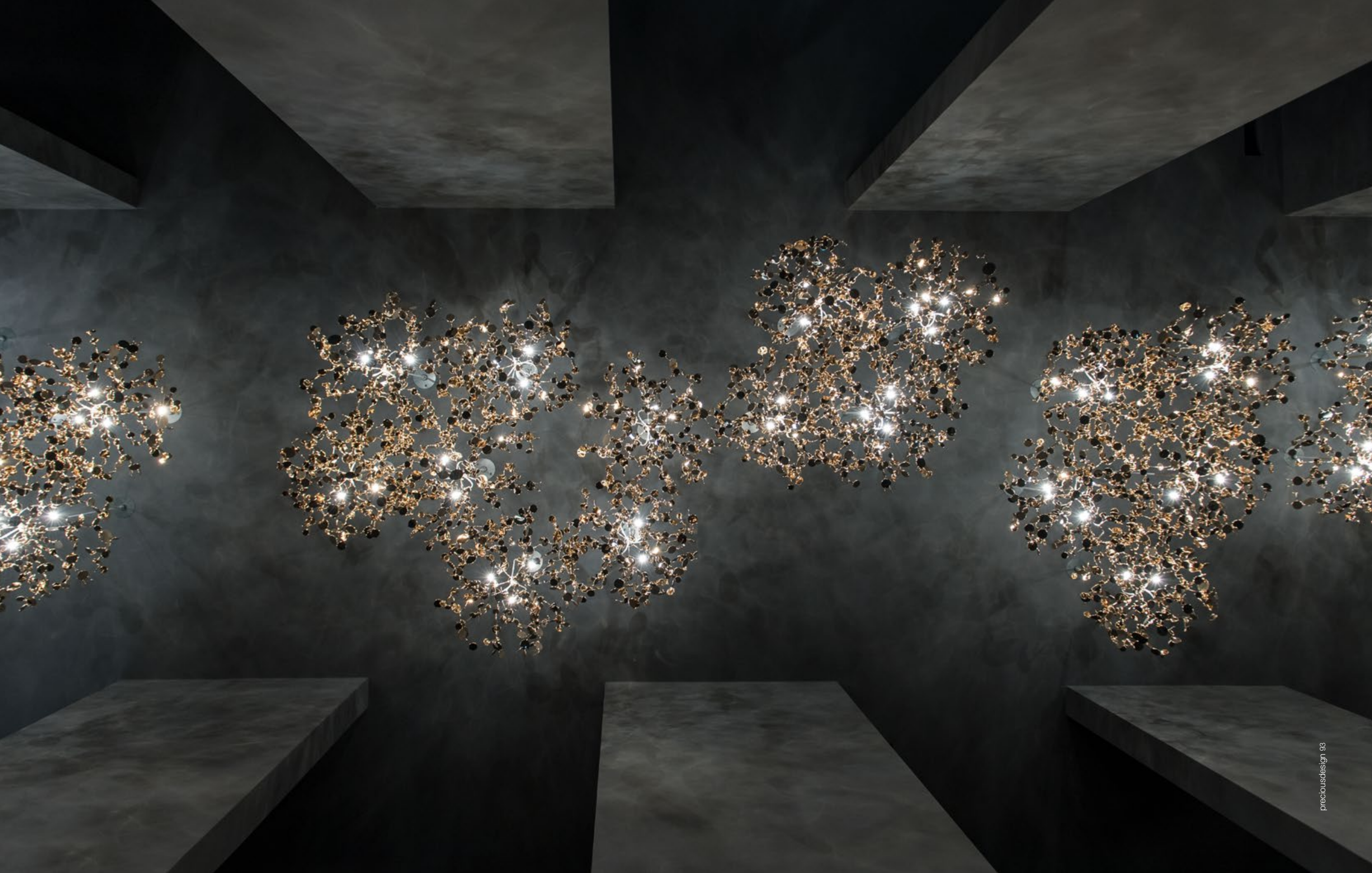
RECOMMENDED BULB		G55S	G56S	G57S	G60L	G61L	G62L
230V	G9 LED	8x3,5W	12x3,5W	14x3,5W	8x3,5W	10x3,5W	12x3,5W
	Dimmable with all systems	-	-	-	-	-	-
120V	G9 LED	8x4W	12x4W	14x4W	8x4W	10x4W	12x4W
	Dimmable with all systems	-	-	-	-	-	-



Argent, a precious *cloud.*

With this suspension light, designer Dodo Arslan creates a shimmering cloud. Argent consists of metal discs that have been meticulously shaped by hand by Terzani craftsmen into clusters. Once lit, the multiple, angled surfaces of the discs emanate a soft, shimmering glow. Argent is available in stainless steel, gold plated, rose gold and champagne finish. Black nickel is available on request. Design Dodo Arslan.





















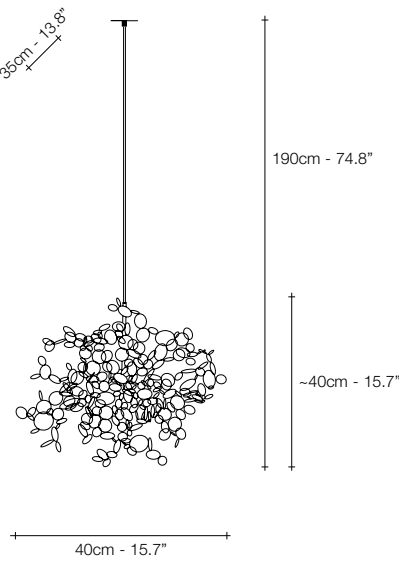




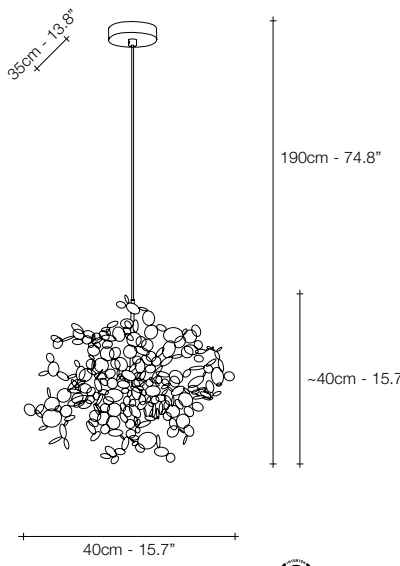




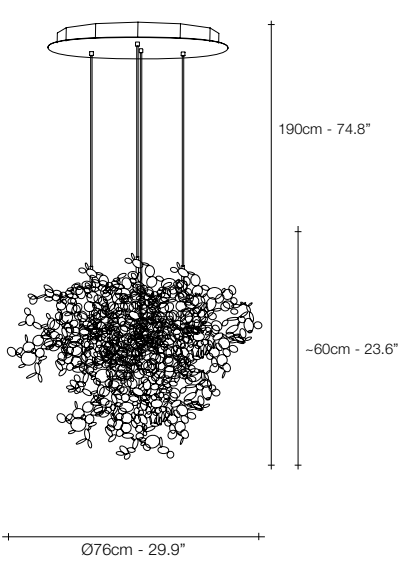




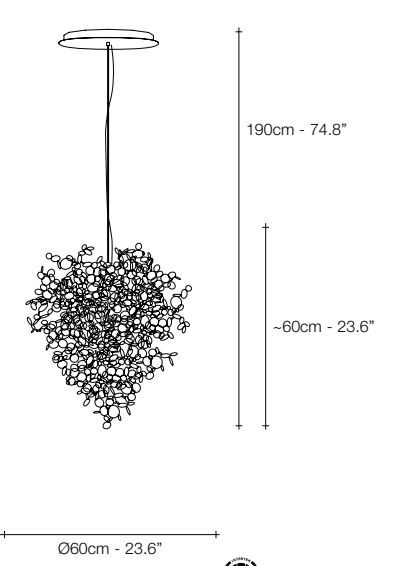
N90S KK
WHITE DISC



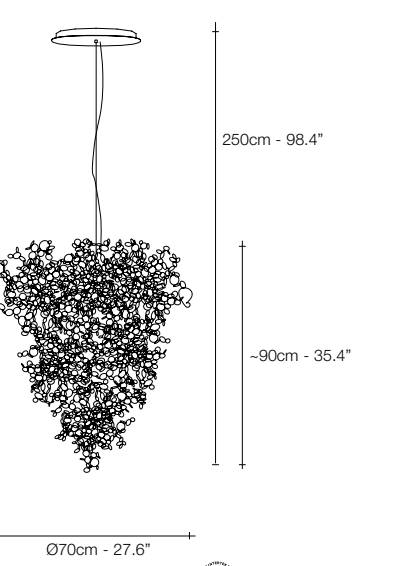
N90S



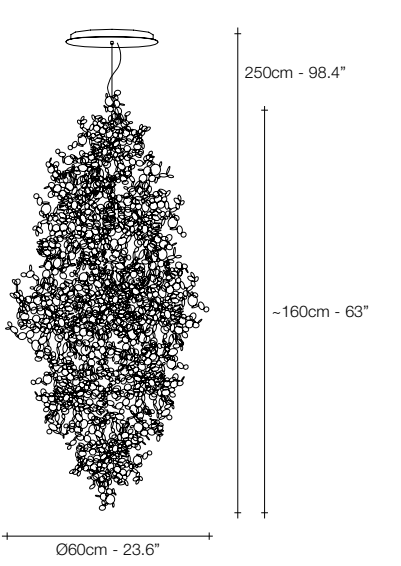
N91S



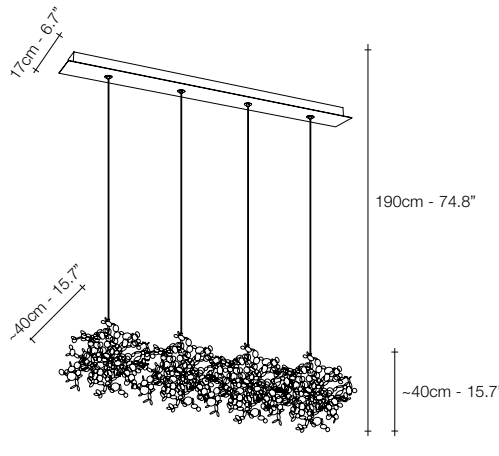
N95S



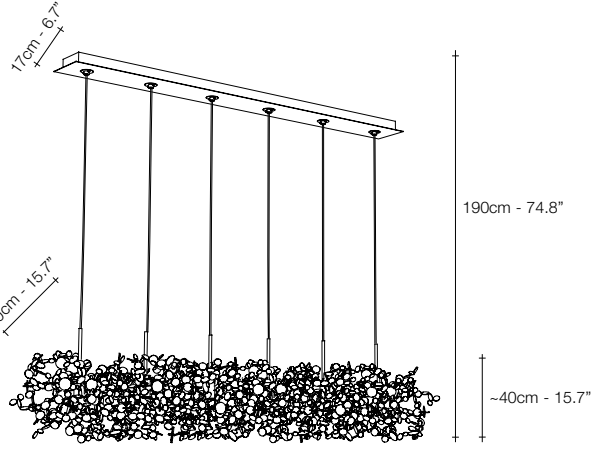
N93S



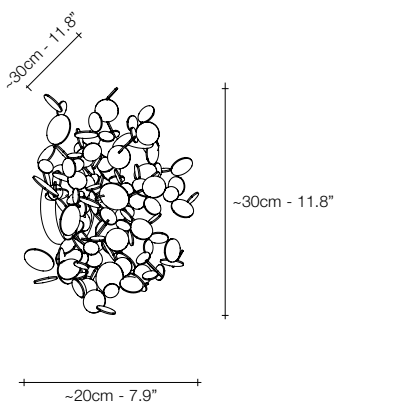
N94S



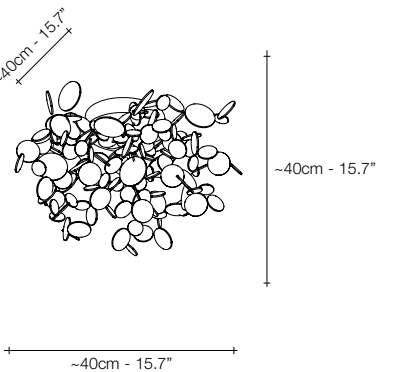
N92S



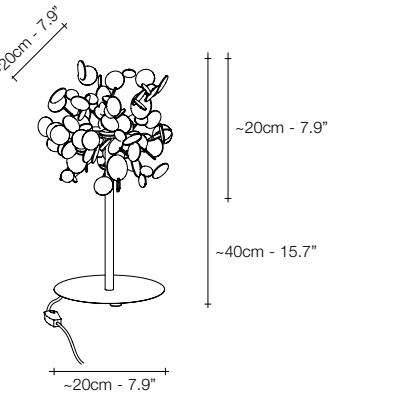
N89S



N97A



N99L



N98B

N/A in North America



STAINLESS STEEL



GOLD PLATED





ROSE GOLD PLATED



CHAMPAGNE



BLACK NICKEL (on request)

	RECOMMENDED BULB	N90S KK	N90S	N91S	N92S	N89S	N97A	N99L	N98B	INTEGRATED LED	N95S	N93S	N94S
230V	G4 HALOGEN G4 LED	3x20W 3x2W	3x20W 3x2W	12x20W 12x2W	12x20W 12x2W	18x20W 18x2W	3x20W 3x2W	3x20W 3x2W	- 3x2W	230V  LED	6x2.1W 1640lm	12x2.1W 3285lm	18x2.1W 4930lm
	Dimmer	IGBT 0/1-10V 10-100kΩ PUSH/DALI	IGBT TRIAC DALI	IGBT 0/1-10V 10V PWM 10-100kΩ PUSH/DALI	IGBT 0/1-10V 10V PWM 10-100kΩ PUSH/DALI	IGBT 0/1-10V 10V PWM 10-100kΩ PUSH/DALI	IGBT TRIAC DALI	IGBT TRIAC DALI	no		Dimmer	0/1-10V PUSH/DALI	1-10V PUSH/DALI
120V	G4 XENON G4 LED	3x20W 3x2W	3x20W 3x2W	12x20W 12x2W	12x20W 12x2W	18x20W 18x2W	3x20W 3x2W	3x20W 3x2W	- -	120V  LED	6x2.1W 1640lm	12x2.1W 3290lm	18x2.1W 4930lm
	Dimmer	IGBT TRIAC	IGBT TRIAC	IGBT TRIAC	IGBT TRIAC	IGBT TRIAC	IGBT TRIAC	IGBT TRIAC	-		Dimmer	0/1-10V PUSH	0/1-10V PUSH/DALI

Argent N93S, N94S, N95S can be manufactured to work with integrated LED 3000K or 2700K. Different dimming options on request.

Mizu, flowing *light.*

Inspired by the tranquil and mesmerizing light refractions created by water, Mizu is a customizable pendant light from Terzani. Like water droplets, no two Mizu are alike, each crystal shape is unique and made meticulously by hand. Using only the clearest crystal, Mizu perfectly emulates water's refraction of light, casting amazing patterns around the room, reminiscent of flowing water. Available in clear, silver dust, gold, cognac and champagne finish. Design Nicolas Terzani.







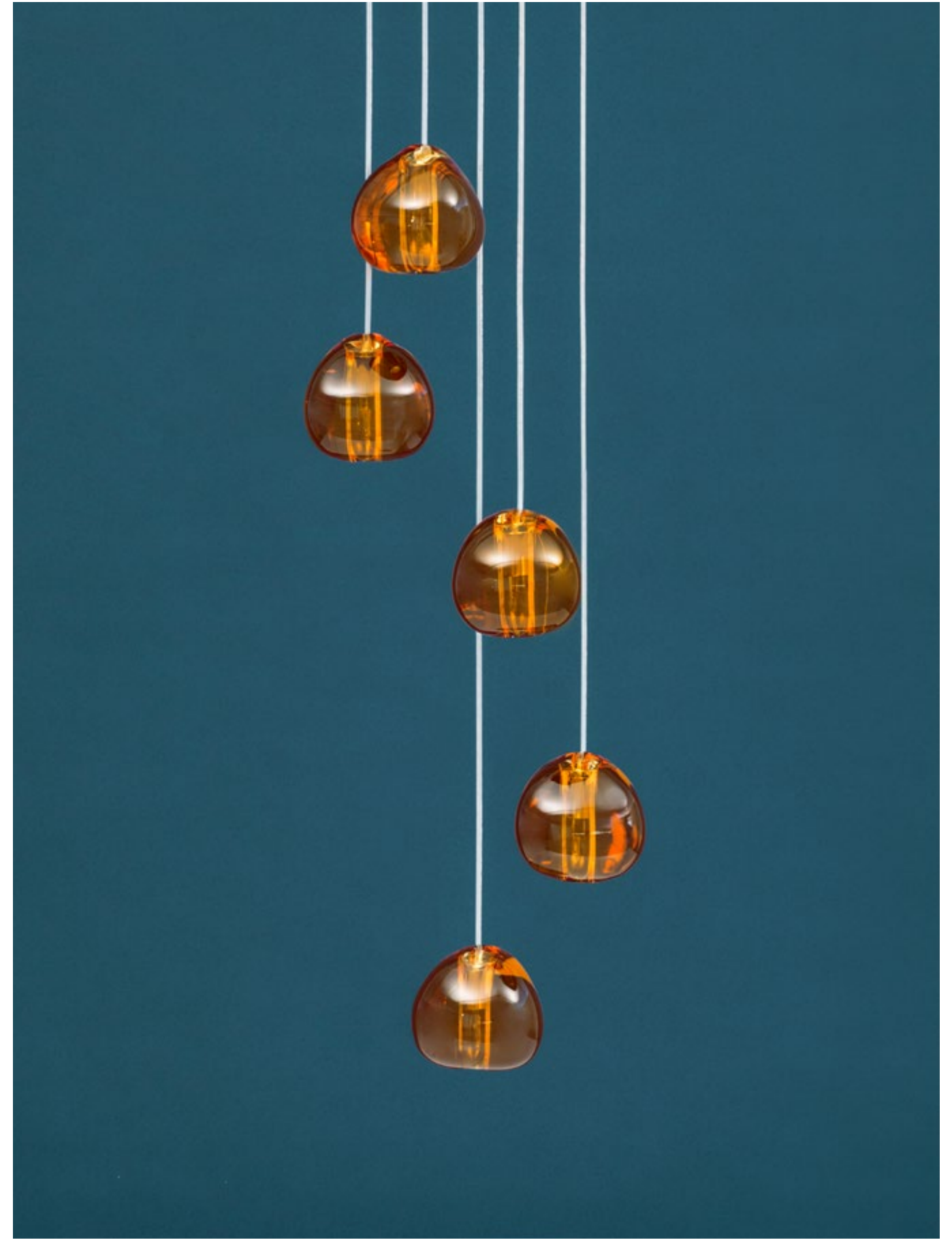


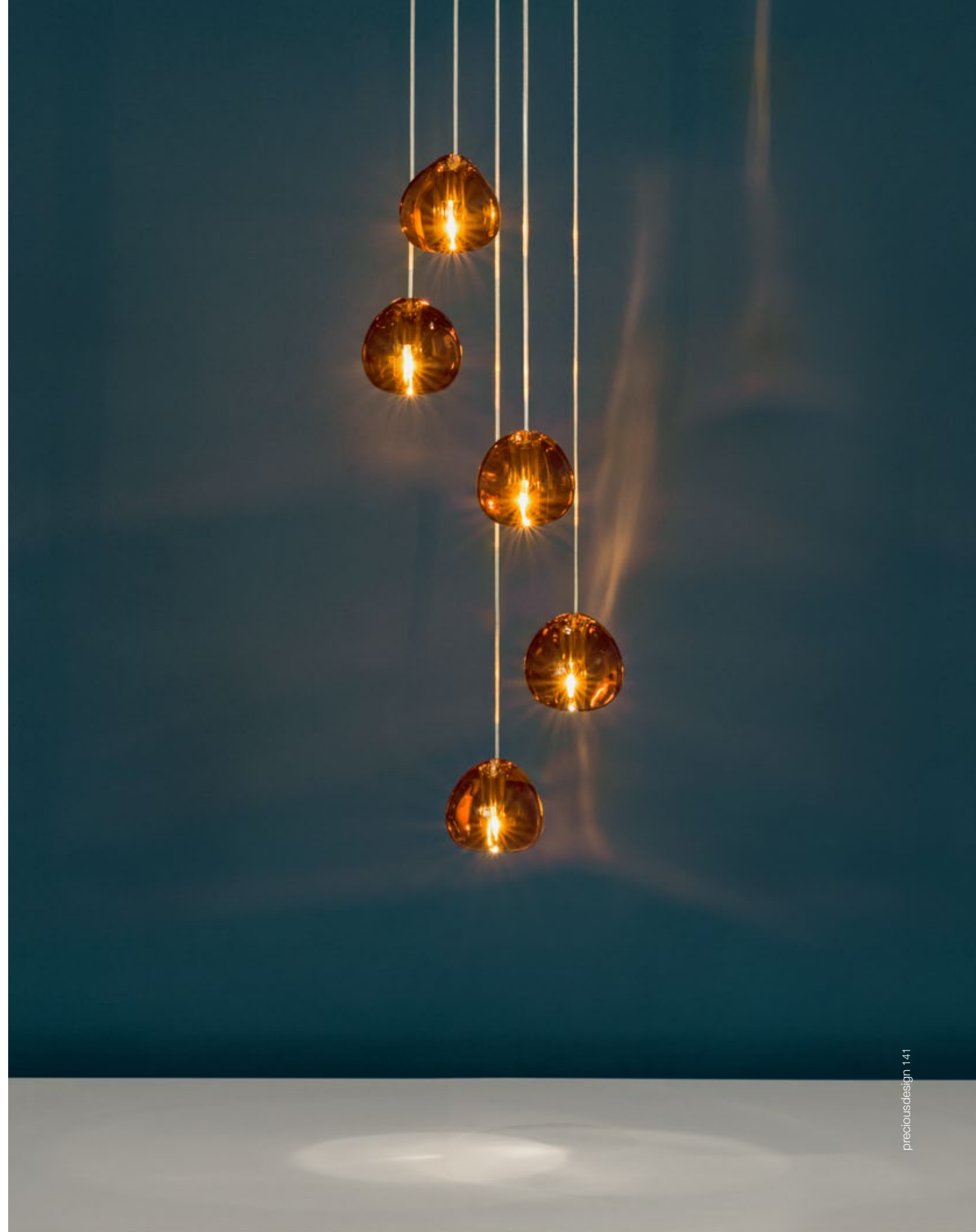










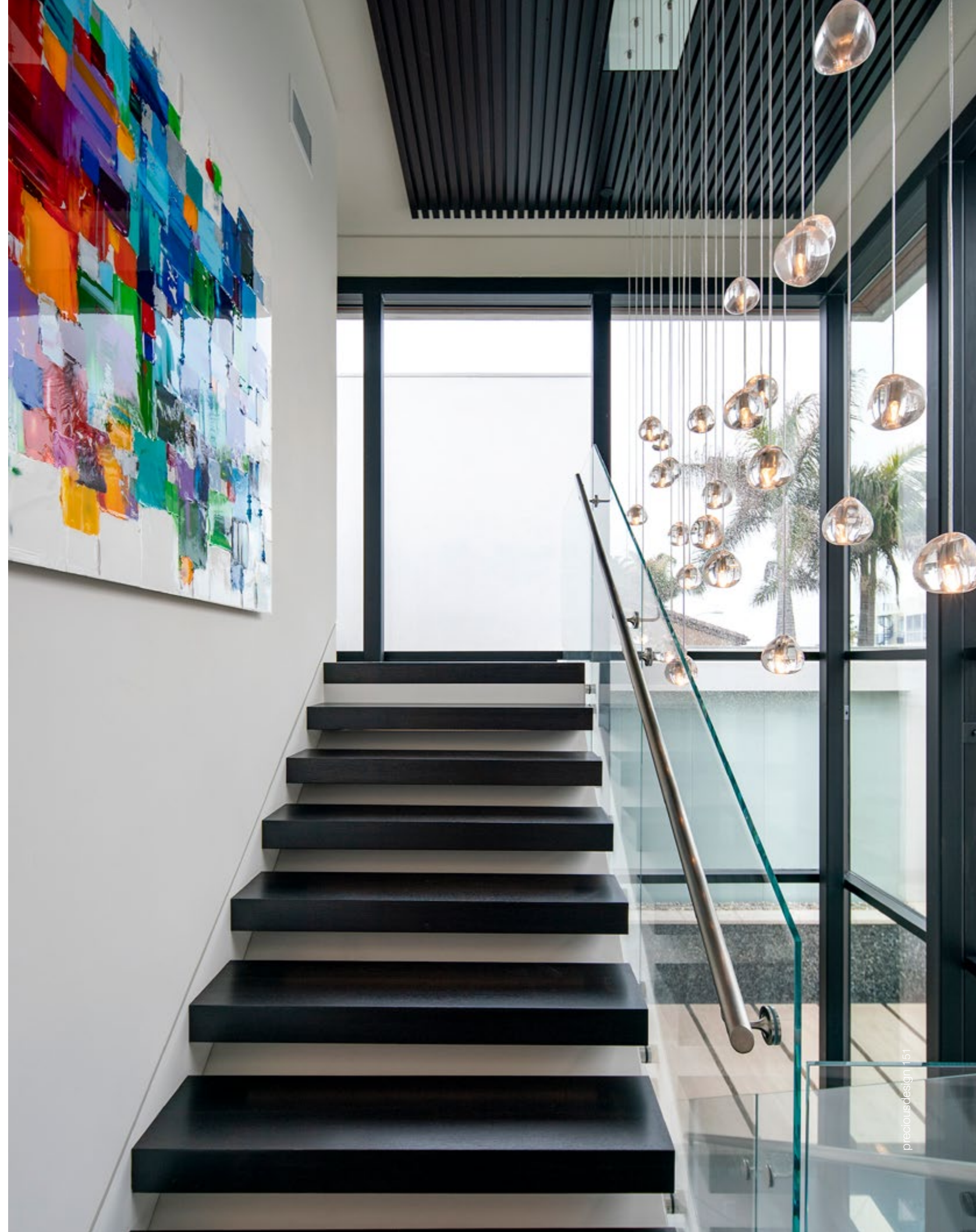




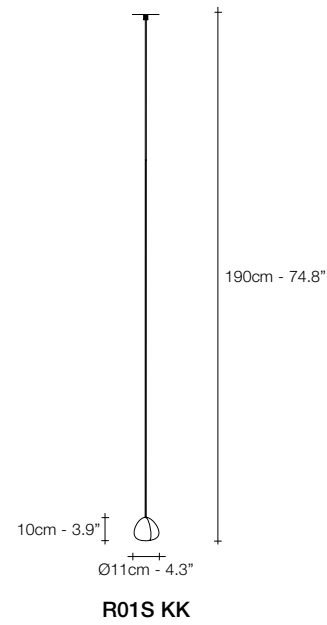




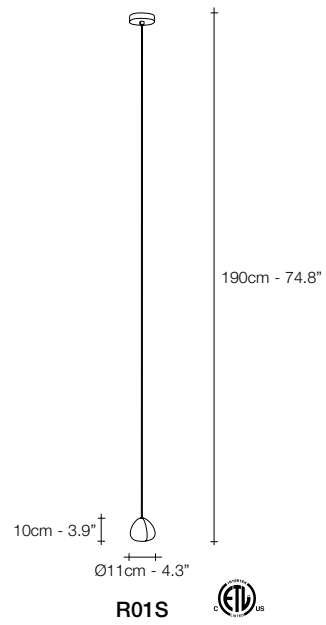




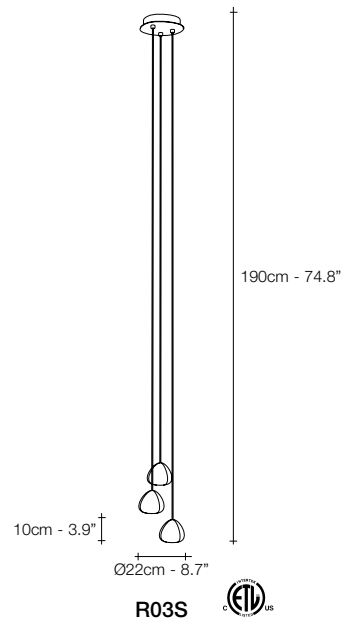




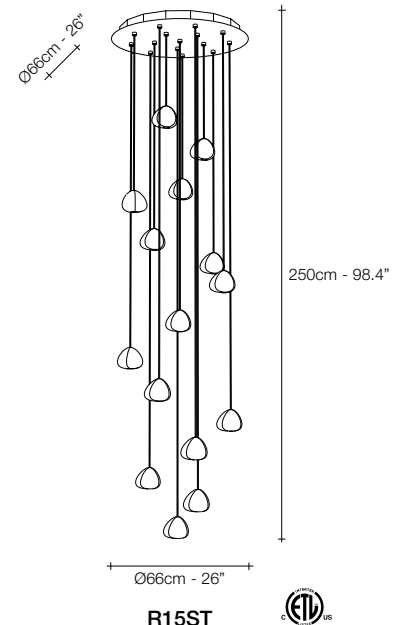
R01S KK



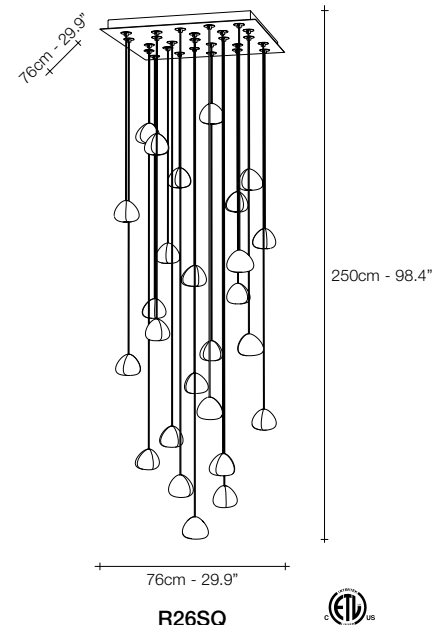
R01S



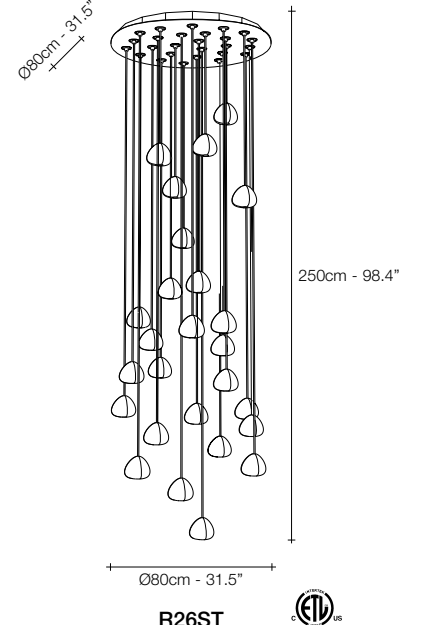
R03S



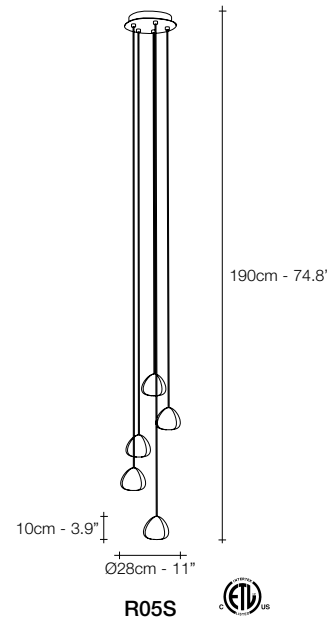
R15ST



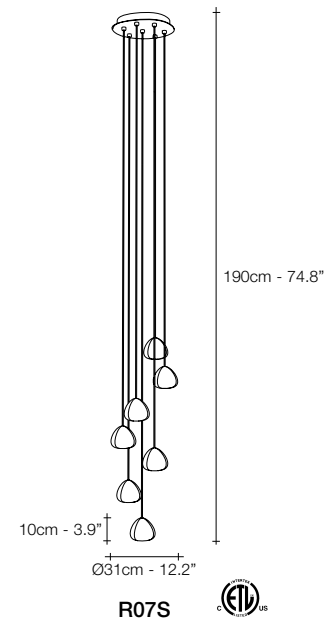
R26SQ



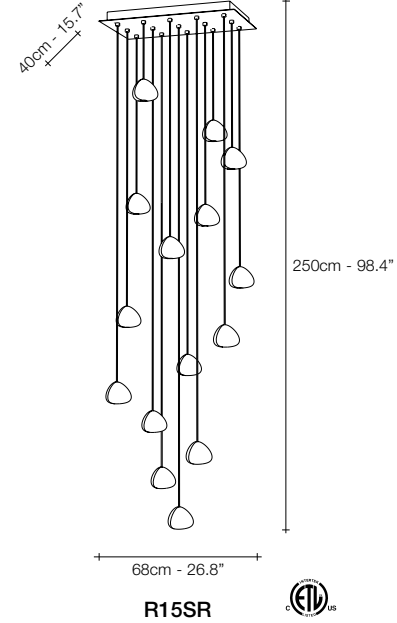
R26ST



R05S



R07S



R15SR



CRYSTAL



CHAMPAGNE CRYSTAL



COGNAC CRYSTAL



SILVER DUST CRYSTAL



GOLD CRYSTAL

	LIGHT SOURCES	R01S KK	R01S	R03S	R05S	R07S	R15SR	R15ST	R26SQ	R26ST
230V	G4 HALOGEN	10W	10W	3x10W	5x10W	7x10W	15x10W	15x10W	26x10W	26x10W
	G4 LED	2W	2W	3x2W	5x2W	7x2W	15x2W	15x2W	26x2W	26x2W
	INTEGRATED LED	1,5W	1,5W	3x1,5W	5x1,5W	7x1,5W	15x1,5W	15x1,5W	26x1,5W	26x1,5W
	Dimmer	IGBT 10-100kΩ 0/1-10V PUSH/DALI	IGBT TRIAC DALI	IGBT 1-10V 10V PWM PUSH/DALI	IGBT 0/1-10V 10V PWM PUSH/DALI	IGBT 0/1-10V PWM PUSH/DALI	IGBT 0/1-10V PWM PUSH/DALI	IGBT 0/1-10V PWM PUSH/DALI	IGBT 0/1-10V PWM PUSH/DALI	IGBT 0/1-10V PWM PUSH/DALI
120V	G4 XENON	10W	10W	3x10W	5x10W	7x10W	15x10W	15x10W	26x10W	26x10W
	G4 LED	2W	2W	3x2W	5x2W	7x2W	15x2W	15x2W	26x2W	26x2W
	Dimmer	IGBT TRIAC	IGBT TRIAC	IGBT TRIAC	IGBT TRIAC	IGBT TRIAC	IGBT TRIAC	IGBT TRIAC	IGBT TRIAC	IGBT TRIAC

Mizu can be manufactured to work with integrated LED 3000K or 2700K (not ETL). Different dimming options on request

Manta, Shimmering *Waves.*

Manta is the latest design featuring the distinctive crystal first unveiled in Nicolas Terzani's best-selling Mizu. Collaborating with designer Dodo Arslan, the two imaginative minds created a light featuring sinuous, undulating lines. The results are soft waves of crystal light reminiscent of being underwater. The innovative Manta is made of crystal, with a dimmable integrated LED lamp focused on maximizing the crystal's reflection. Manta's organic form is available in two sizes and can be installed in numerous, customizable arrangements. Design Dodo Arslan & Nicolas Terzani.

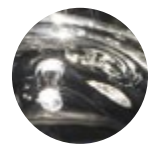
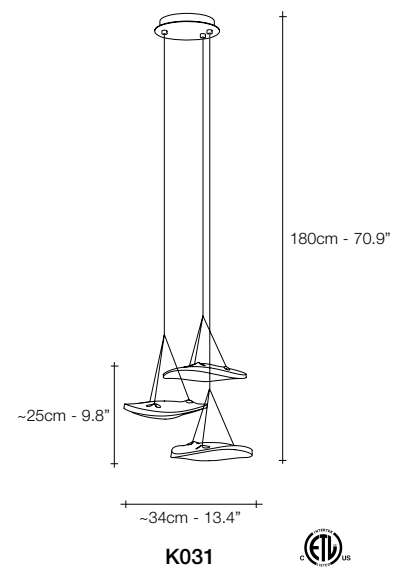
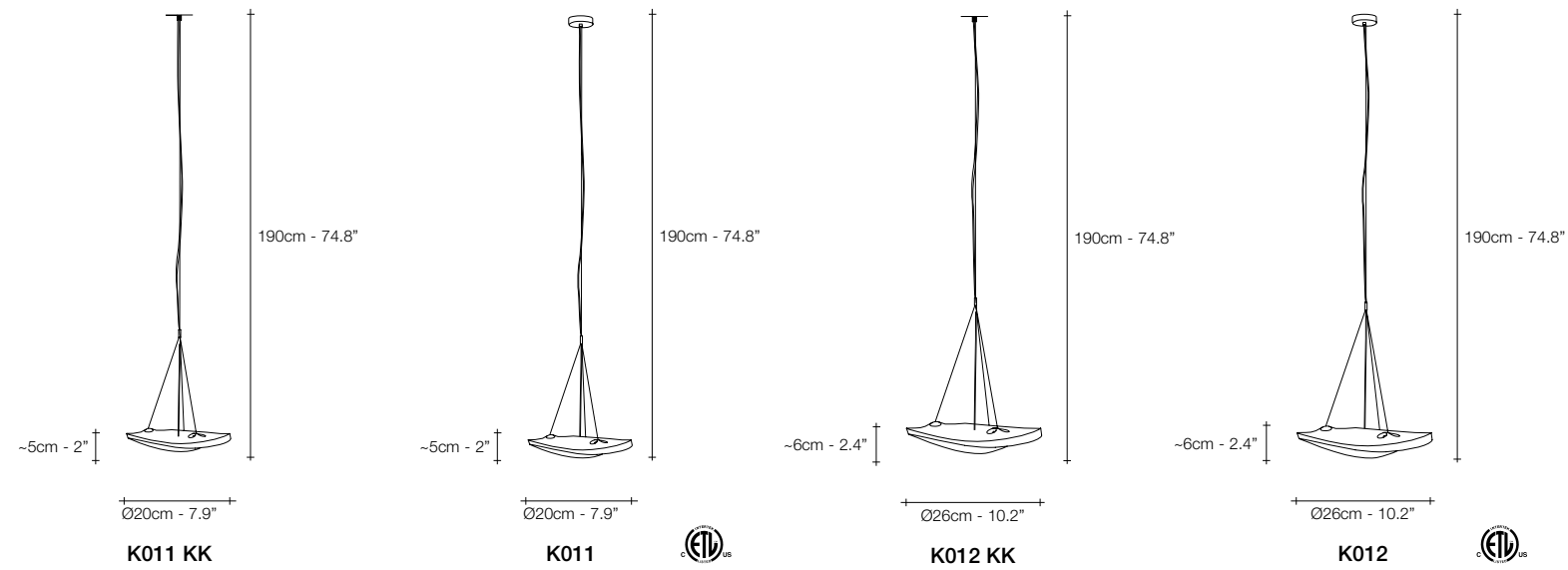












CLEAR CRYSTAL

	INTEGRATED LED	K011 KK	K011	K012 KK	K012	K031
230V	LED	1,5W 105lm	1,5W 105lm	1,5W 105lm	1,5W 105lm	3x1,5W 315lm
	Dimmer	0/1-10V PUSH/DALI	PUSH/DALI	1-10V PUSH/DALI	PUSH/DALI	1-10V PUSH/DALI
120V	LED	1,5W 105lm	1,5W 105lm	1,5W 105lm	1,5W 105lm	3x1,5W 315lm
	Dimmer	1-10V PUSH/DALI	no	1-10V PUSH/DALI	no	1-10V PUSH

Manta can be manufactured to work with integrated LED 3000K or 2700K. Different dimming options on request.



Gaia, earth *mother.*

In Greek mythology, Gaia is the personification of the Earth and the mother of all life. Looking to capture the mythical and natural beauty of this Earth goddess, designer Jean-François Crochet has created the Gaia pendant light. Consisting of geometric frames of brass or raw metal reminiscent of the mountains Gaia created, the pendant uses led light to push light through the “cracks” formed. The resulting light creates a magical feeling, as if the lights peaking through were alive themselves. Available to custom configurations, Gaia adds a vibrancy and sacred light to any space. Design Jean-François Crochet.



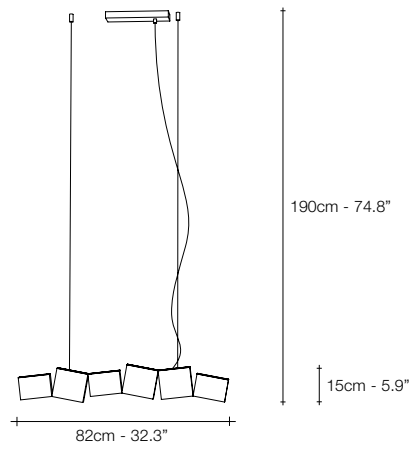




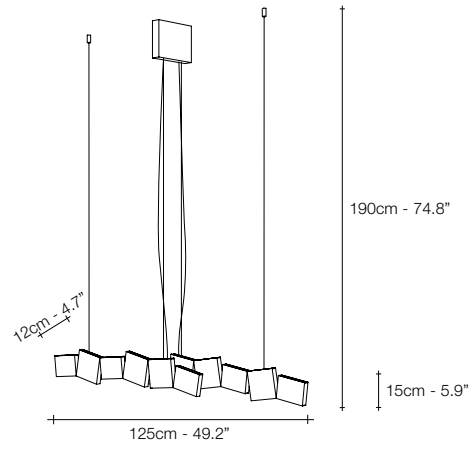








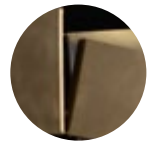
G41S



G40S



RAW METAL



BRASS





NICKEL



GOLD PLATED



MATT WOOD

	INTEGRATED LED	G41S	G40S
230V		12x1,5W 2160lm	24x1,5W 4320lm
	Dimmer	1-10V PUSH/DALI	0/1-10V PUSH/DALI
120V		12x1,5W 2160lm	24x1,5W 4320lm
	Dimmer	1-10V PUSH	0/1-10V PUSH/DALI

Gaia can be manufactured to work with integrated LED 3000K or 2700K. Different dimming options on request

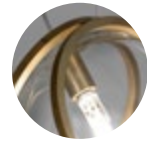
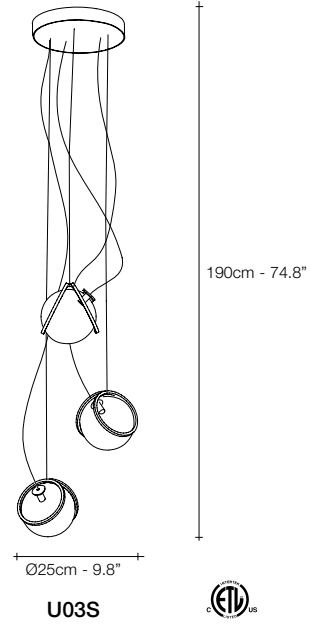
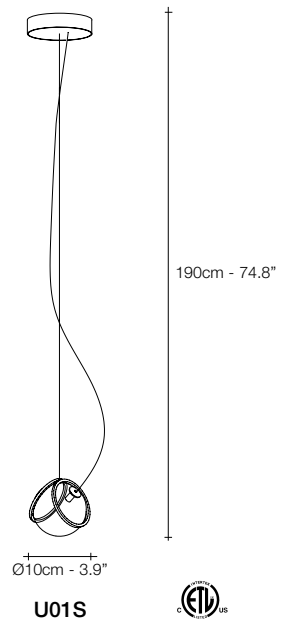
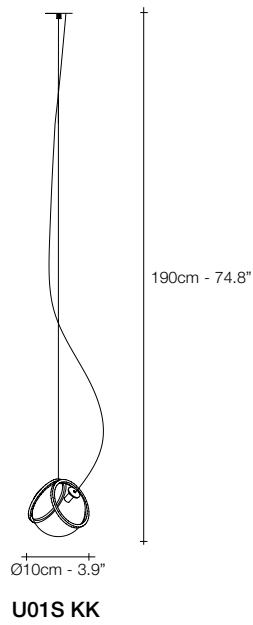


Pug, multum *in parvo.*

Pug is a dog described as “much in little”, referring to the greatness of his personalities despite his diminutive size. Inspired by the Pug’s charm, designer Jean-François Crochet created the Pug pendant light whose protruding spherical lights are reminiscent of a pug’s face. As with the breed, the Pug pendant packs significant charm and beauty into a small package. Illuminated by LED light, these glass pendants are framed by two brass bands. With Pug, it’s easy to bring a new best friend (or pack of friends) into a home. Available in clear/raw brass and satin white/polished brass. Design Jean-François Crochet.







RAW BRASS
CLEAR GLASS



POLISHED BRASS
SATIN WHITE
GLASS

	RECOMMENDED BULB	U01S KK	U01S	U03S
230V	G4 LED 3000K	1,5W	1,5W 3W	3x1,5W
	Dimmer	IGBT 10-100KΩ 0/1-10V PUSH/DALI	DALI	IGBT DALI
120V	G4 LED	1.5W	1.5W	3x1.5W
	Dimmer	IGBT TRIAC	no	IGBT TRIAC

Different dimming options on request



Abacus, multiplying *luminescence.*

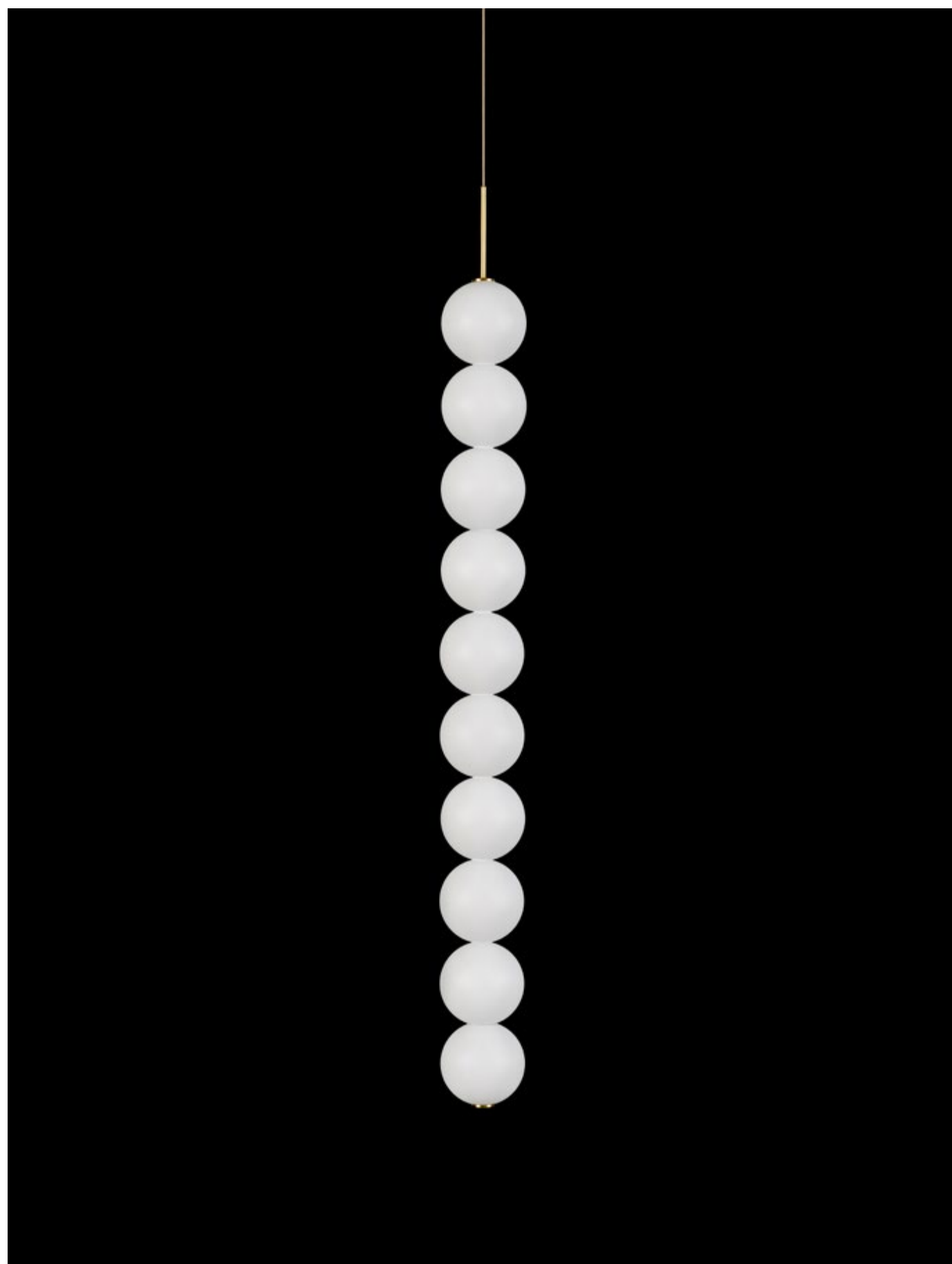
Used for centuries as the tool to both teach and communicate mathematics, the abacus was found in one form or another across the ancient world. At Terzani, we saw the beauty in the abacus' mathematical purity and clean, functional design. In the hands of Terzani's craftsmen, we've turned this inspiration into a new collection of modular pendant lamps whose flexibility allows for complex and beautiful configurations. Each module, or strand, of Abacus contains a custom set of round, hand-blown opal glass which emit a soft and uniform light. And, as the original abacus was used to calculate everything from simple addition to complex formulas, we've retained the same scalability. Due to its customization, our Abacus light is just as suitable in a home as a commercial space, and its almost infinite configurations makes sure you always come up with the right solution. Design Draw.

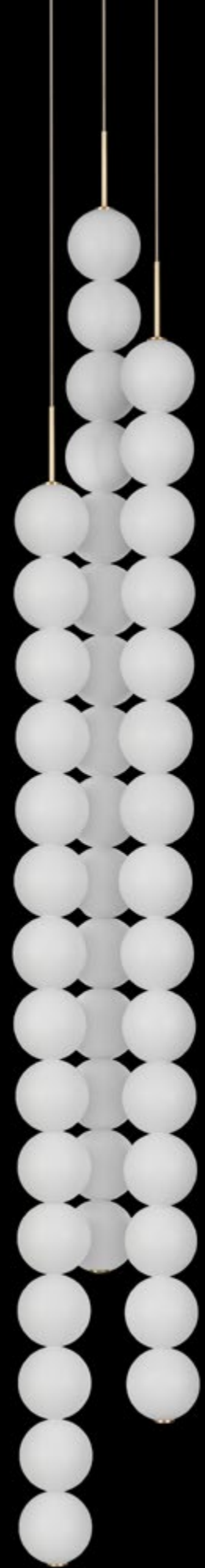


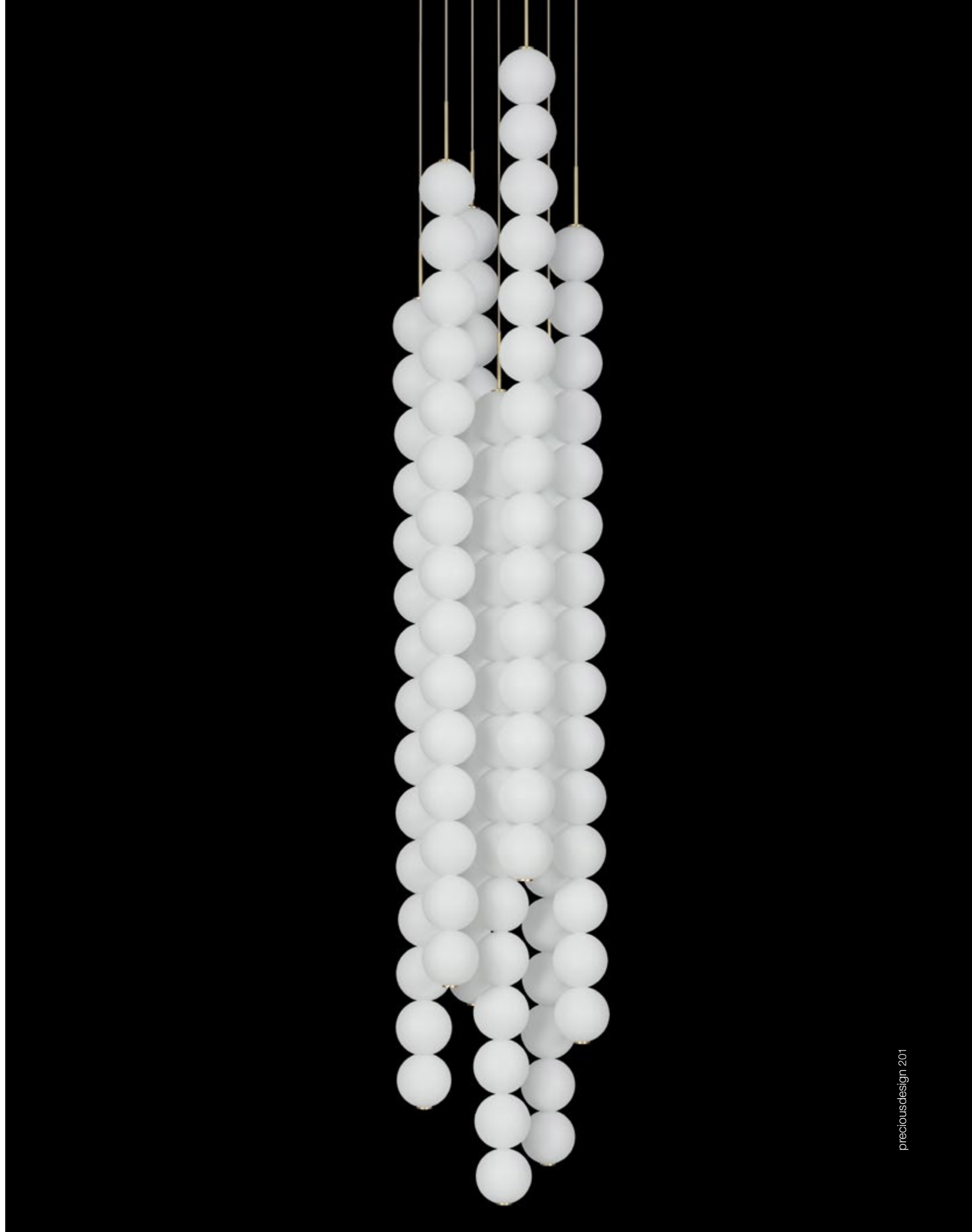
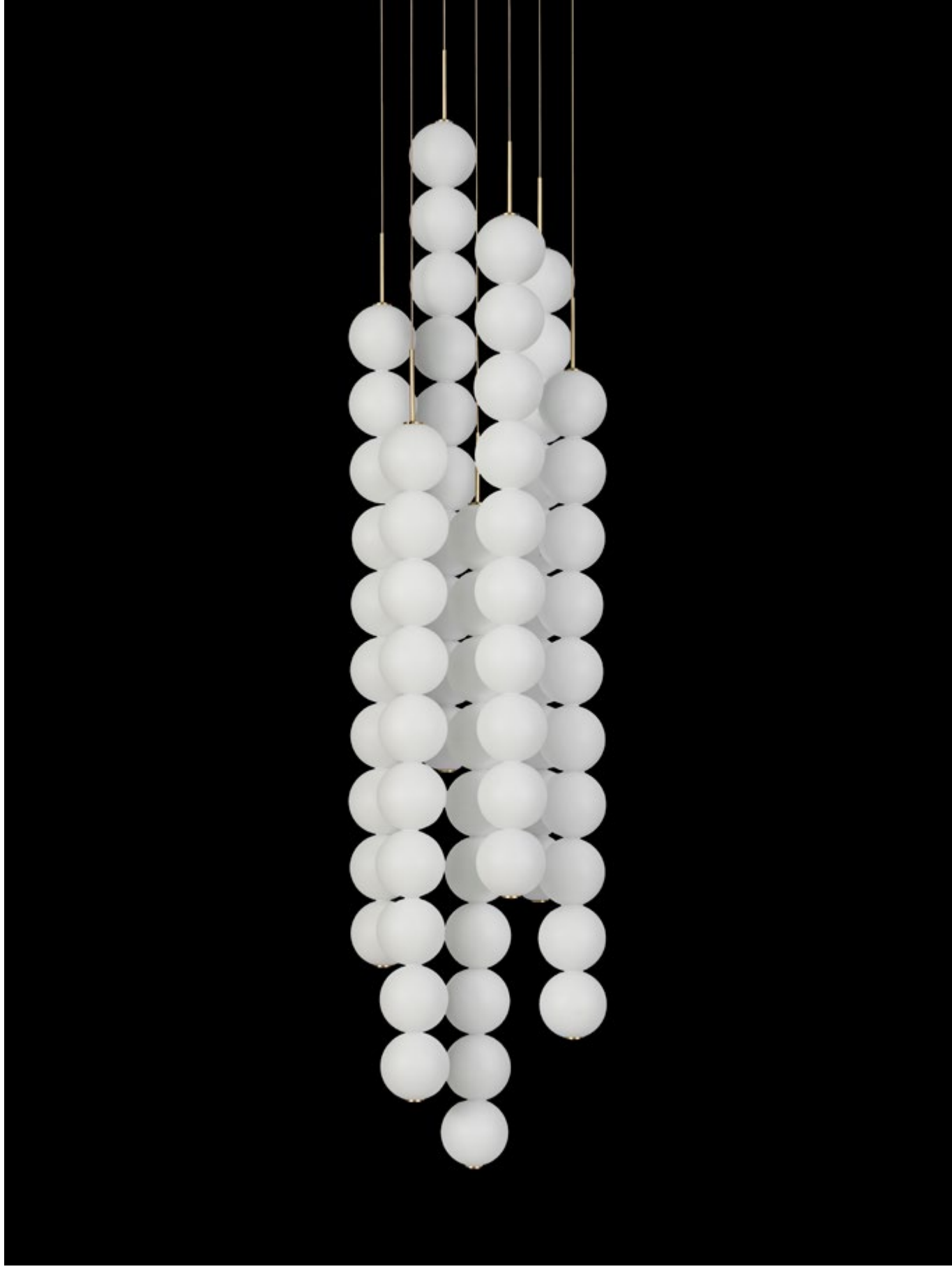






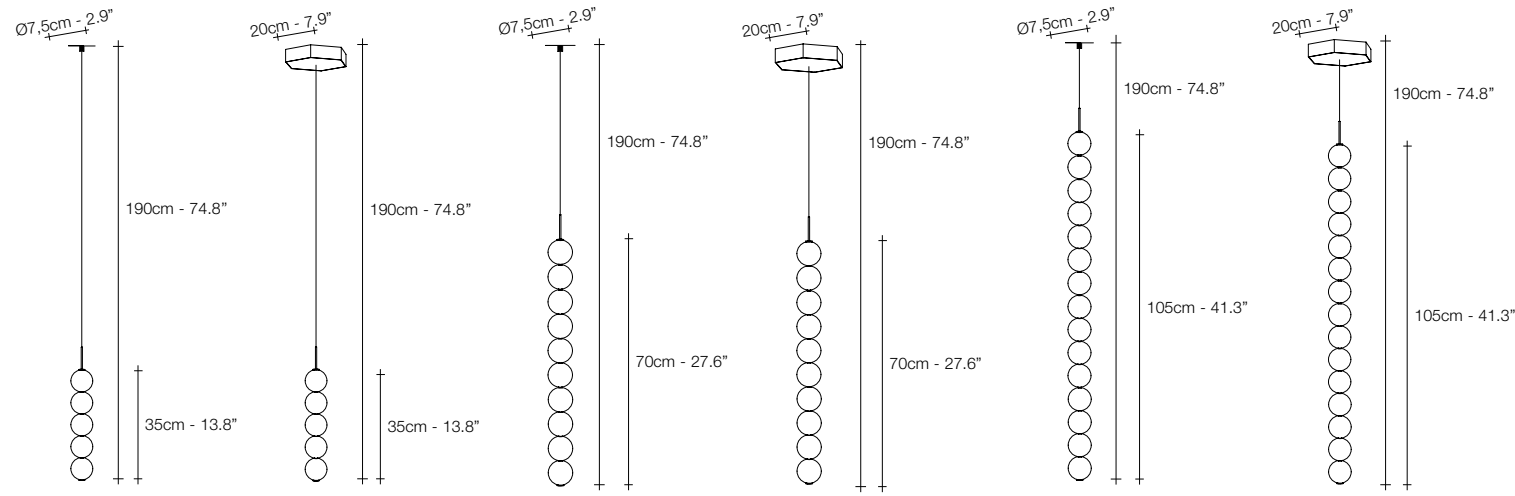




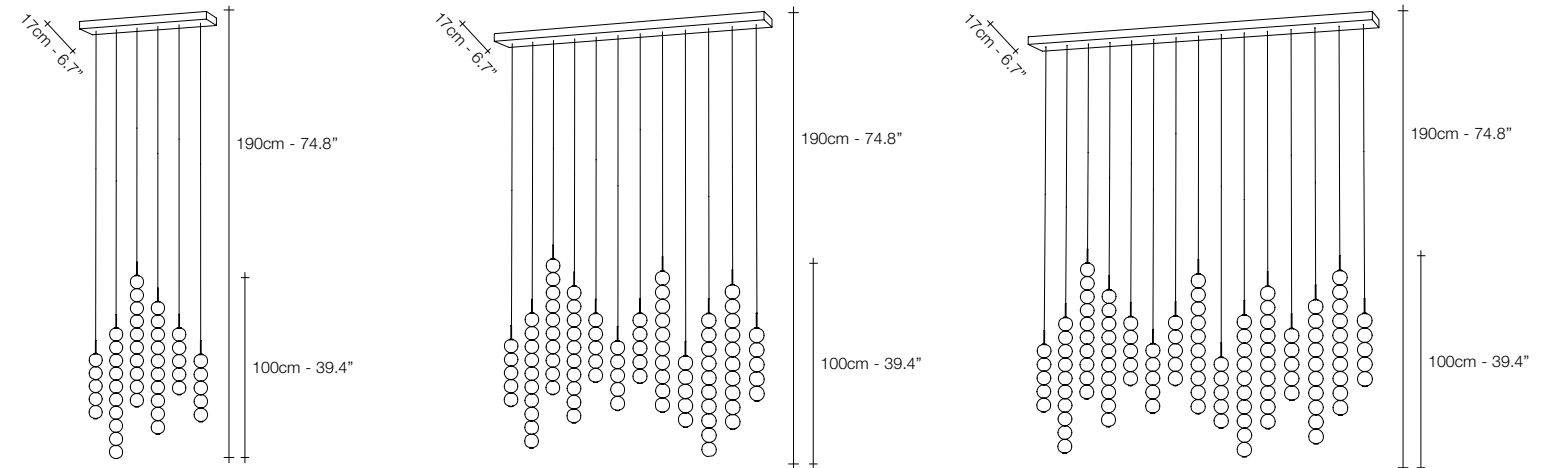




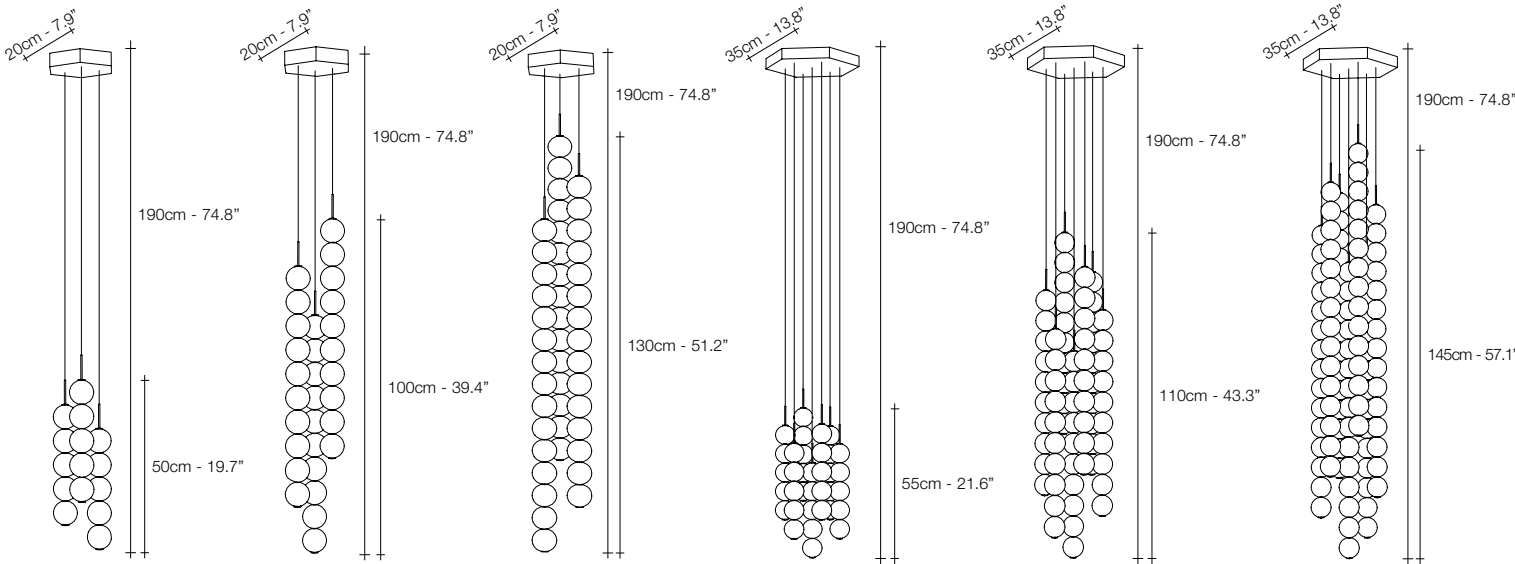




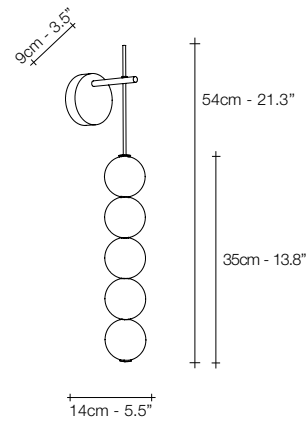
V01S 15KK 5 spheres
V01S P15 5 spheres
V01S 1AKK 10 spheres
V01S P1A 10 spheres
V01S 1FKK 15 spheres
V01S P1F 15 spheres



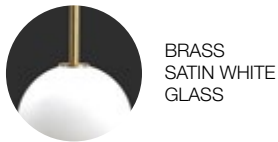
V06S R2B 3x5 - 3x10 spheres
V12S R3M 6x5 - 6x10 spheres
V15S R4D 7x5 - 8x10 spheres



V03S P1F 3x5 spheres
V03S P1V 3x10 spheres
V03S P2B 3x15 spheres
V07S P21 7x5 spheres
V07S P32 7x10 spheres
V07S P43 7x15 spheres



V01A 15
 5 spheres
 N/A in North America



BRASS
SATIN WHITE
GLASS

	INTEGRATED LED	V01S 15KK	V01S P15	V01S 1AKK	V01S P1A	V01S 1FKK	V01S P1F	V03S P1F	V03S P1V	V03S P2B	V07S P21	V07S P32	V07S P43
230V	LED BOARD 3000K	3,6W 540lm	3,6W 540lm	7,2W 1080lm	7,2W 1080lm	10,8W 1620lm	10,8W 1620lm	3 x 3,6W 1620lm	3 x 7,2W 3240lm	3x10,8W 4860lm	7 x 3,6W 3780lm	7 x 7,2W 7560lm	7 x 10,8W 11340lm
	Dimmer	0/1-10V PWM 10-100KΩ PUSH/DALI	0/1-10V PWM 10-100KΩ PUSH/DALI	0/1-10V PWM 10-100KΩ PUSH/DALI	0/1-10V PWM 10-100KΩ PUSH/DALI	0/1-10V PWM 10-100KΩ PUSH/DALI	0/1-10V PWM 10-100KΩ PUSH/DALI	0/1-10V PWM 10-100KΩ PUSH/DALI	0/1-10V PWM 10-100KΩ PUSH/DALI	0/1-10V PWM 10-100KΩ PUSH/DALI	0/1-10V PWM 10-100KΩ PUSH/DALI	0/1-10V PWM 10-100KΩ PUSH/DALI	0/1-10V PWM 10-100KΩ PUSH/DALI
120V	LED BOARD 3000K	3,6W 540lm	3,6W 540lm	7,2W 1080lm	7,2W 1080lm	10,8W 1620lm	10,8W 1620lm	3 x 3,6W 1620lm	3 x 7,2W 3240lm	3 x 10,8W 4860lm	7 x 3,6W 3780lm	7 x 7,2W 7560lm	7 x 10,8W 11340lm
	Dimmer	0-10V PWM	0-10V PWM	0-10V PWM	0-10V PWM	0-10V PWM	0-10V PWM	0-10V PWM	0-10V PWM	0-10V PWM	0-10V PWM	0-10V PWM	0-10V PWM

Different dimming options on request

	INTEGRATED LED	V06S R2B	V12S R3M	V15S R4D	V01A 15
230V	LED BOARD 3000K	3 x 3,6W 3 x 7,2W 4860lm	6 x 3,6W 6 x 7,2W 9720lm	7 x 3,6W 8 x 7,2W 12420lm	3,6W 540lm
	Dimmer	0/1-10V PWM 10-100KΩ PUSH/DALI	0/1-10V PWM 10-100KΩ PUSH/DALI	0/1-10V PWM 10-100KΩ PUSH/DALI	1-10V PUSH
120V	LED BOARD 3000K	3 x 3,6W 3 x 7,2W 4860lm	6 x 3,6W 6 x 7,2W 9720lm	7 x 3,6W 8 x 7,2W 12420lm	-
	Dimmer	0-10V PWM	0-10V PWM	0-10V PWM	-

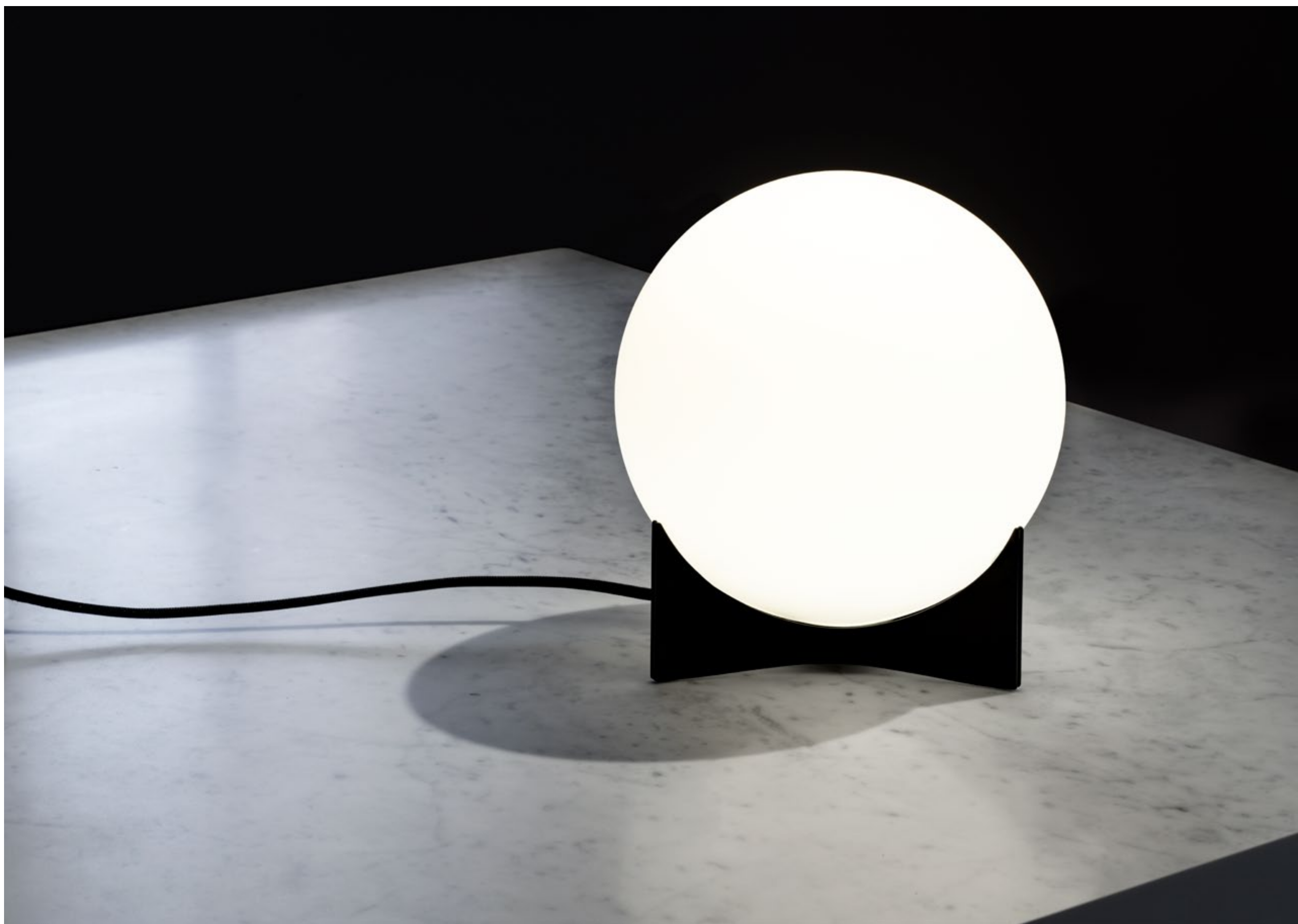
Different dimming options on request

Oscar, *a tribute.*

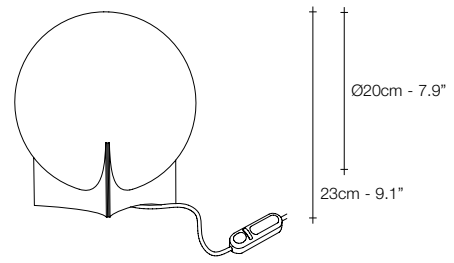
The great Brazilian architect Oscar Niemeyer once said about his work: "It's not the right angle that attracts me, nor the straight line. Stiff, inflexible, created by men. What really attracts me is the free, sensual curve. The curve I see on the sinuous course of our rivers, on the clouds in the sky, on your favorite woman's body. The universe is entirely made of curves". Inspired to pay tribute to one of the founders of modern architecture, designer Dodo Arslan has created a series of lights named "Oscar", which pay homage through their adoption of Niemeyer's signature sensuous curves. Oscar table lamp consists of a glass orb delicately held by curved brass. Available in nickel, brass, black, white, gold plated and rose gold finish. Design Dodo Arslan.



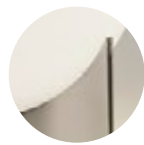








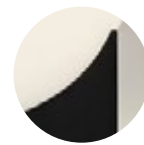
C02B



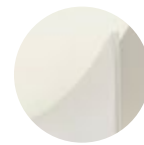
NICKEL
SATIN WHITE
GLASS



BRASS
SATIN WHITE
GLASS



BLACK
SATIN WHITE
GLASS



WHITE
SATIN WHITE
GLASS



GOLD PLATED
SATIN WHITE
GLASS



ROSE GOLD PLATED
SATIN WHITE
GLASS

RECOMMENDED BULB C02B

230V		E14 LED	7W
		Dimmer integrated	
120V		E12 LED	7W
		Dimmer integrated	



Moiré, movement *with pattern.*

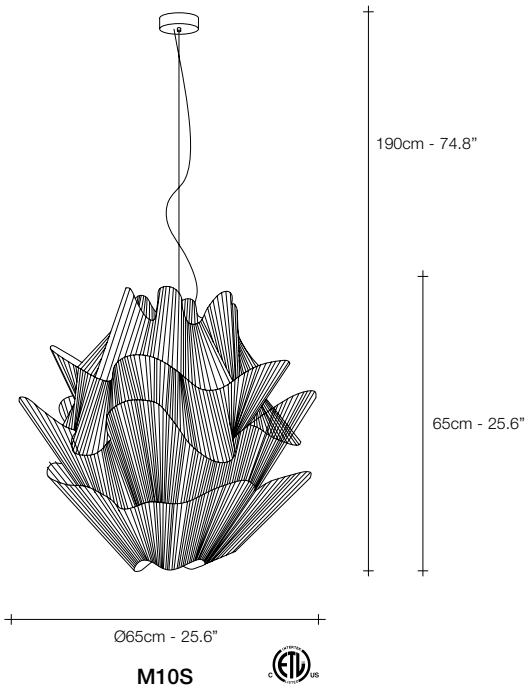
A French term derived from silk with a rippled or “watered” appearance, moiré is an optical effect that results in the illusion of waves or the movement of water. This effect is achieved by having an opaque, ruled pattern overlaid over another. Designer Christian Lava’s studies of this effect have led to his latest design aptly titled, Moiré. Using overlapping grids of metal, this LED pendant light dynamically changes shape following the viewer’s gaze, practically coming to life with a vibrating energy. Moiré is a mesmerizing addition to any room. Available in gold plated and nickel finish. Design Christian Lava.











NICKEL



GOLD PLATED

INTEGRATED LED		M10S	
230V		COB LED 3000K	15W 1950lm
		Dimmer	1-10V PUSH/DALI
120V		COB LED 3000K	15W 1950lm
		Dimmer	1-10V PUSH/DALI

Different dimming options on request



Doodle, Freehand *Design.*

We no longer march in a straight line. Our lives are dynamic, intertwining collections of relationships, experiences and journeys. Reflecting the fluidity of our generation, designer Simone Micheli has created a new, contemporary light for Terzani, Doodle. Like us, each Doodle is unique, each pendant is handcrafted by artisans to resemble a randomised path. And, to give us control over the journey we want to take, each LED bulb can be placed anywhere on the light, not only reflecting the choices we make in life, but giving Doodle a special flexibility. Design Simone Micheli.

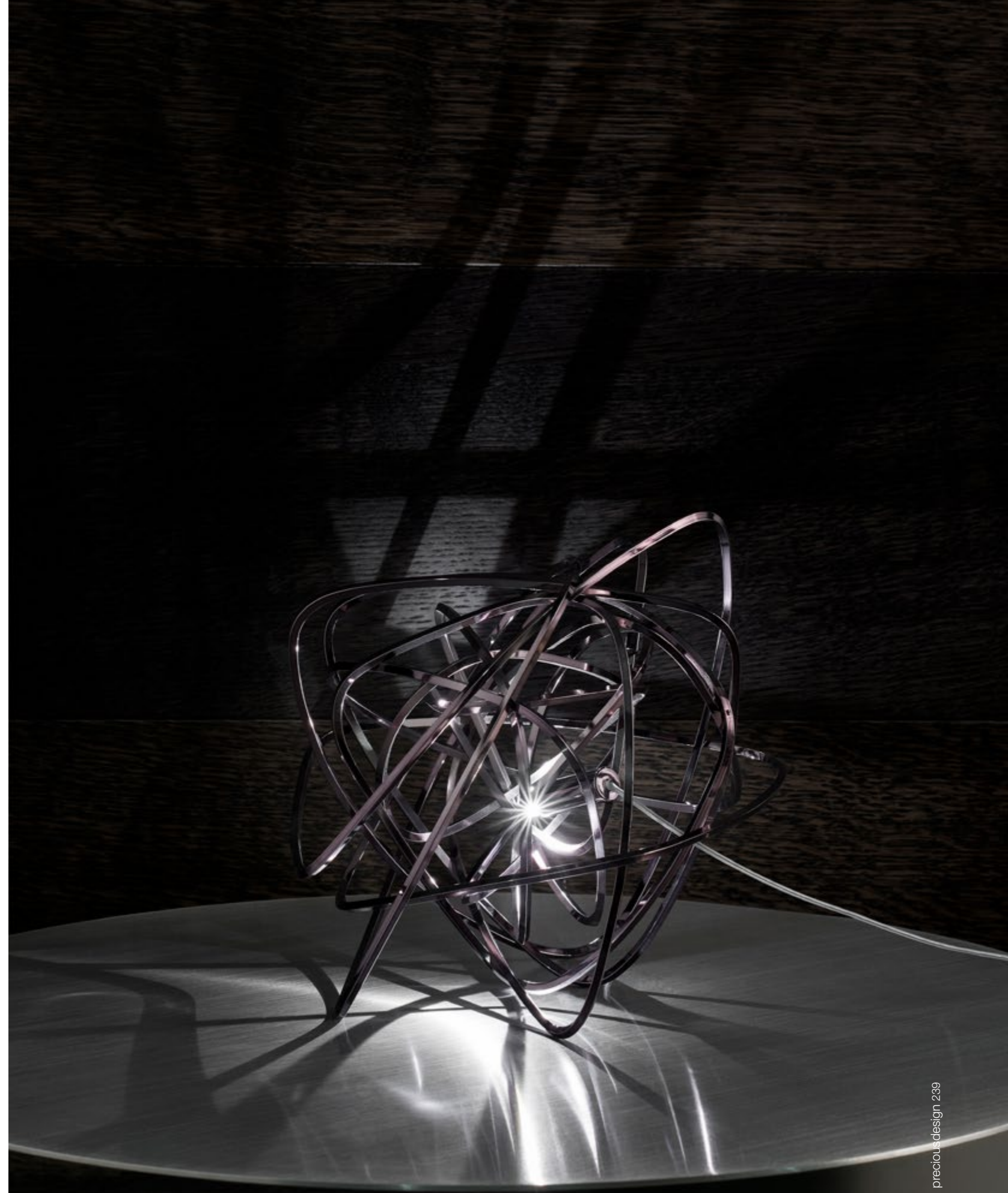






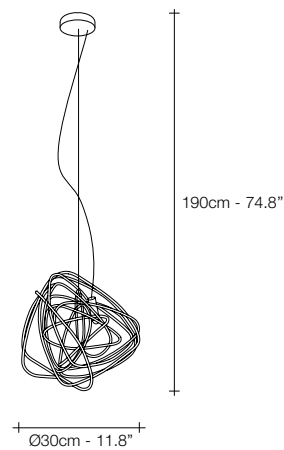




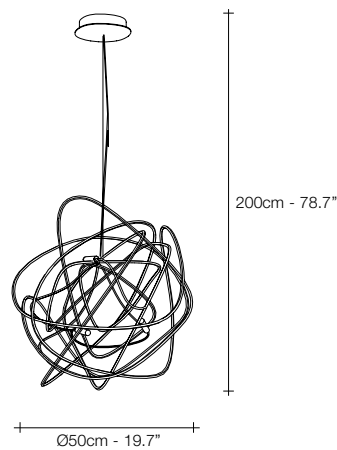




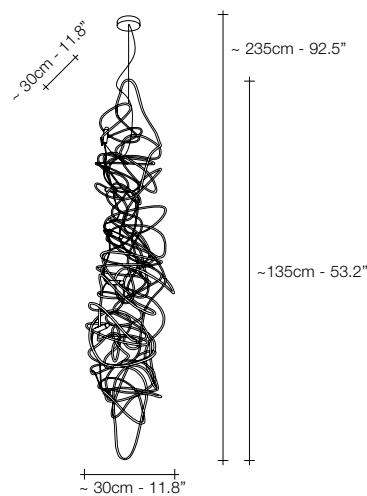




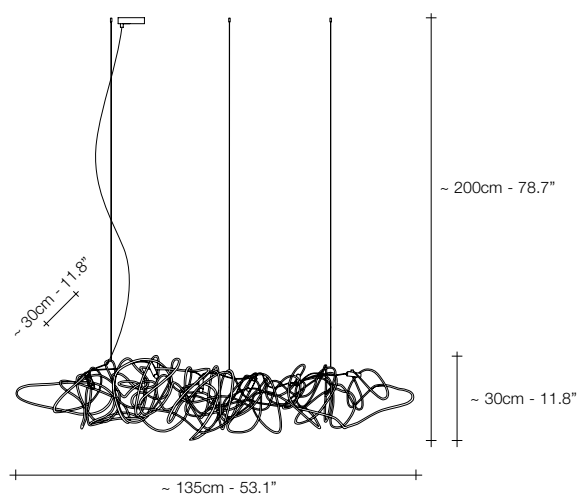
J80S



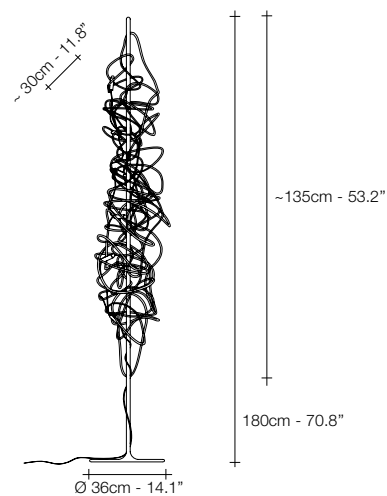
J93S



J87S

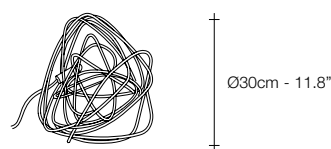


J81S



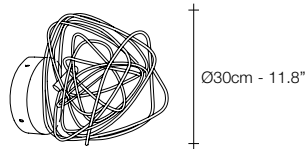
J86P

N/A in North America



J84B

N/A in North America



J82A



NICKEL



BLACK
AMETHYST



GOLD
PLATED



COPPER

	RECOMMENDED BULB	J80S	J81S	J82A	J84B	J86P	J87S	J93S
230V	G4 LED 2700K	2W	6x2W 2W	2W	2W	6x1,2W 1,2W	6x2W 2W	5x2W 2W
	Dimmer	0/1-10V 10-100kΩ PUSH/DALI	IGBT DALI	0/1-10V 10-100kΩ PUSH/DALI	no	no	IGBT DALI	IGBT DALI
120V	G4 LED	2W	6x2W	2W	-	-	6x2W	5x2W
	Dimmer	no	IGBT TRIAC	no	-	-	IGBT TRIAC	IGBT TRIAC

Different dimming options on request



I Lucci Argentati, School of *Light.*

I Lucci Argentati draws from nature to create a whimsical, yet modern light. Recalling a school of fish darting through freshwater, it creates a mesmerizing luminescence. Sets of sleek lights combine to form a stunning pendant with thin incisions along the bottom creating an understated, tranquil beauty. Thanks to its modular system, I Lucci Argentati is customizable and can be combined in many different configurations: from small to extra large; as a pendant or sconce; and finished either in brushed nickel or white. Design Dodo Arslan.





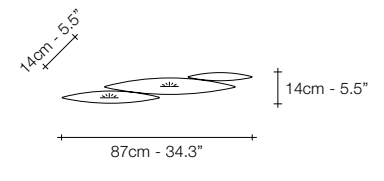
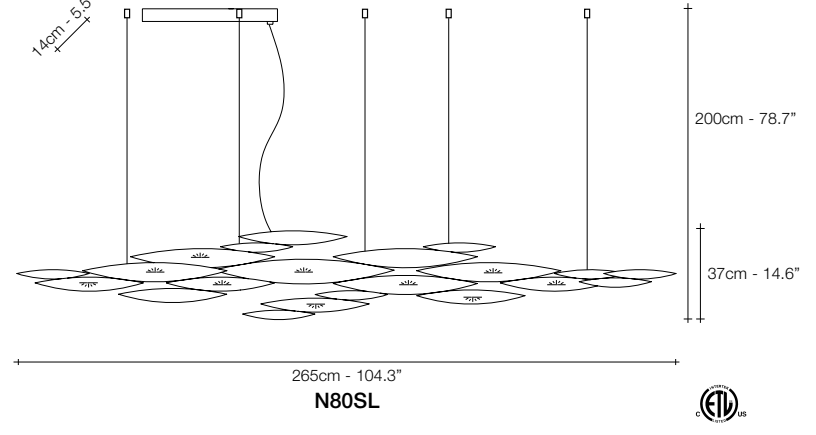
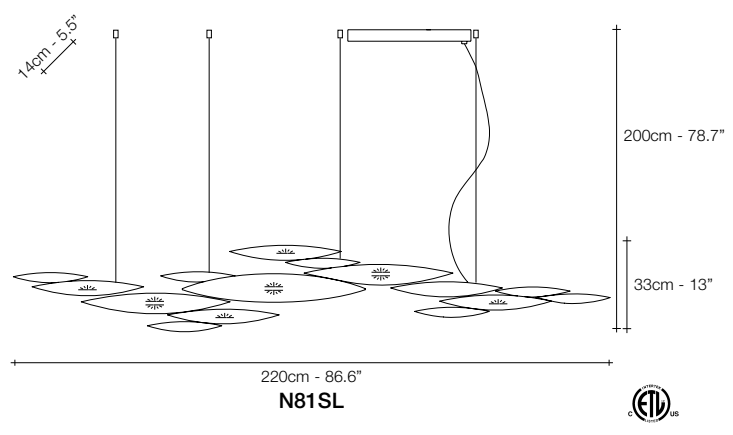
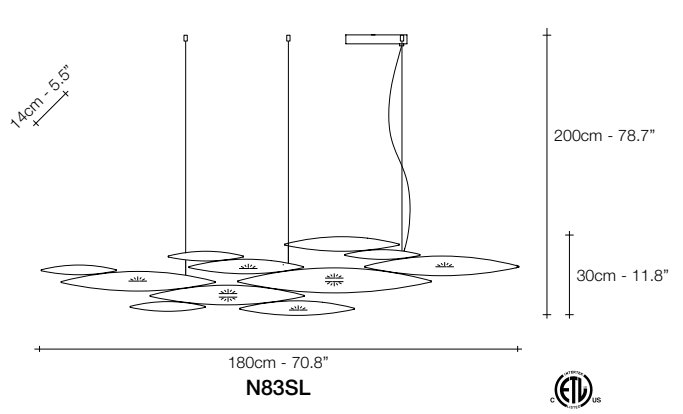
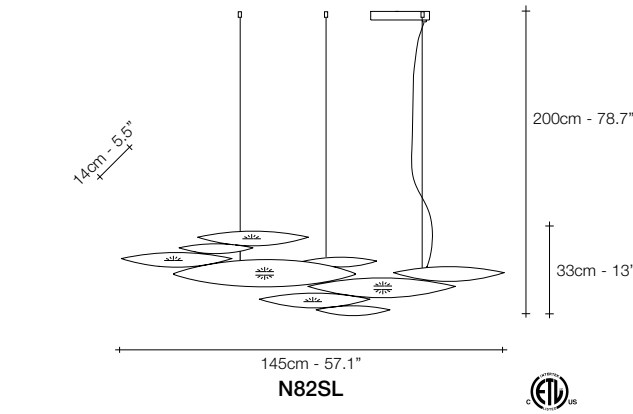








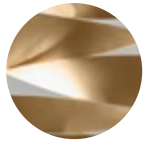




BRUSHED NICKEL



WHITE



BRUSHED GOLD PLATED

	INTEGRATED LED	N82SL	N83SL	N81SL	N80SL	N85ALB
230V	LED BOARD	7x4,5W	8x4,5W	10x4,5W	10x4,5W	2x4,5W
	CRI 90	4655lm	5320lm	6650lm	6650lm	1330lm
120V	LED BOARD	7x4,5W	8x4,5W	10x4,5W	10x4,5W	2x4,5W
	CRI 90	4655lm	5320lm	6650lm	6650lm	1330lm
	Dimmer	0/1-10V PWM 10-100KΩ PUSH/DALI	1-10V PWM 10-100KΩ PUSH/DALI	0-10V PUSH/DALI	0-10V PUSH/DALI	0/1-10V PUSH/DALI
	Dimmer	1-10V PWM 10-100KΩ	1-10V PWM 10-100KΩ	1-10V	1-10V	no

I Lucci Argentati can be manufactured to work with integrated LED 3000K or 2700K. Different dimming options on request.



Core, Eruption *of Light.*

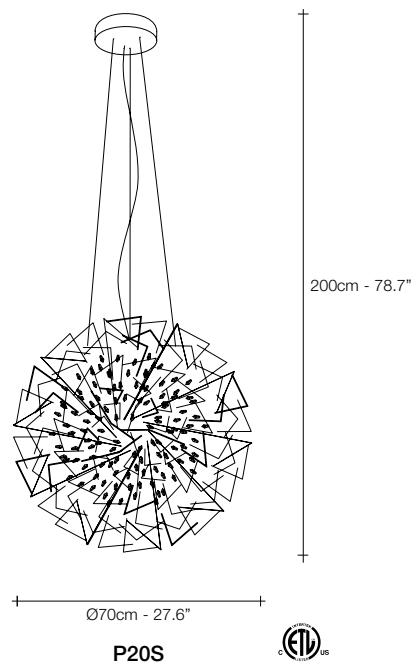
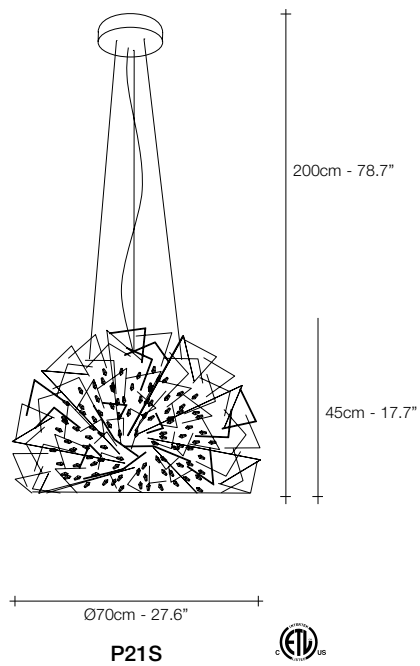
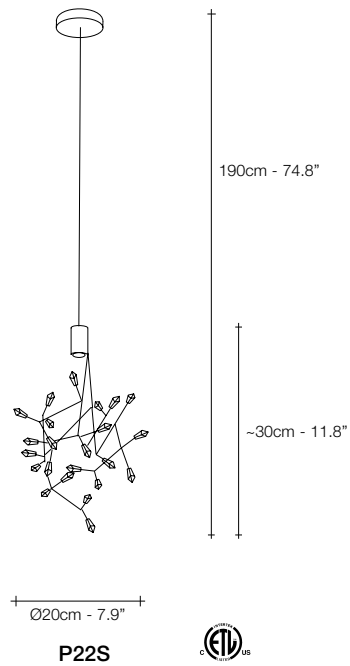
Core is reminiscent of the natural energy at the heart of our world. Like bright lava seeping through the earth's crust, vibrant spheres of faceted crystal break through the iron surface of this pendant. Forcing light to pass through this metal structure results in a powerful, vibrant exchange of forces light and shadow erupt across the room, as the light pours through, as the light itself emits an organic radiance. Design Christian Lava.











NICKEL CLEAR



BLACK NICKEL CLEAR



GOLD PLATED CLEAR

	INTEGRATED LED	P22S	INTEGRATED LED	P21S	P20S
230V		2.1W 240lm	COB LED CRI 90	18W 1640lm	18W 1640lm
	Dimmer	no	Dimmer	0/1-10V PUSH/DALI	0/1-10V PUSH/DALI
120V		2.1W 240lm	COB LED CRI 90	18W 1640lm	18W 1640lm
	Dimmer	no	Dimmer	1-10V PUSH	1-10V PUSH

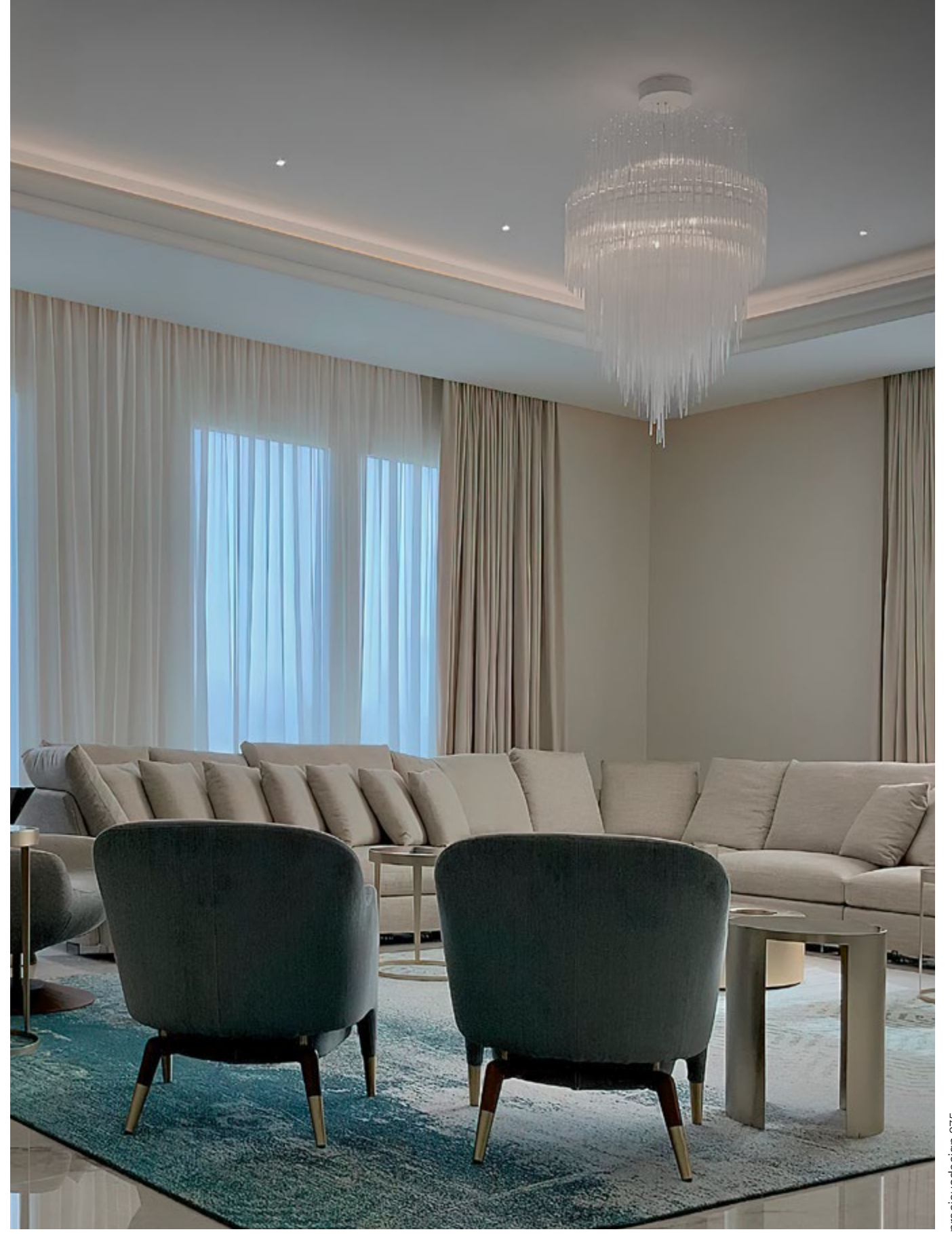
Core can be manufactured to work with 3000K or 2700K LED. Different dimming options on request

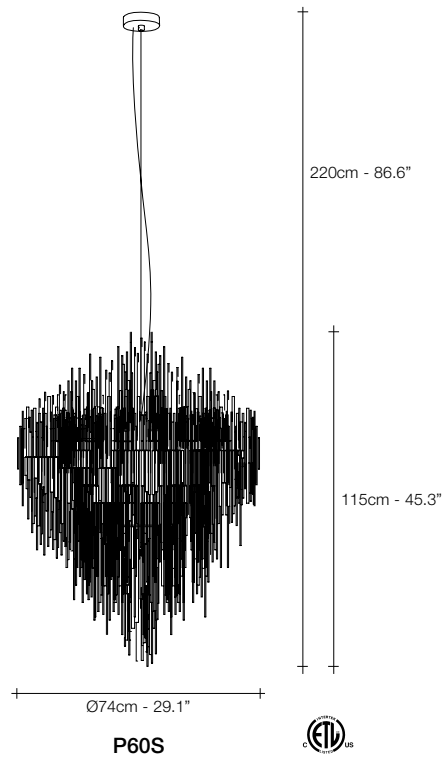


Iceberg, Pure *Light.*

Inspired by the natural beauty of ice crystals, this new suspension light creates a spectacular, luminous piece through the use of over 3600 plexyglass tubes. Similar to light refracting through water, the illumination created by Iceberg is both brilliant and natural, meticulously handcrafted, each light is a unique sculpture; sparkling, multifaceted and powerful. Design Dodo Arslan.







CLEAR
PLEXIGLAS

RECOMMENDED BULB		P60S
230V	E14 LED	6x6W
	E27 LED	8W
Dimmable with all systems		-
120V	E12 LED	6x5.5W
	E26 LED	8W
Dimmable with all systems		-

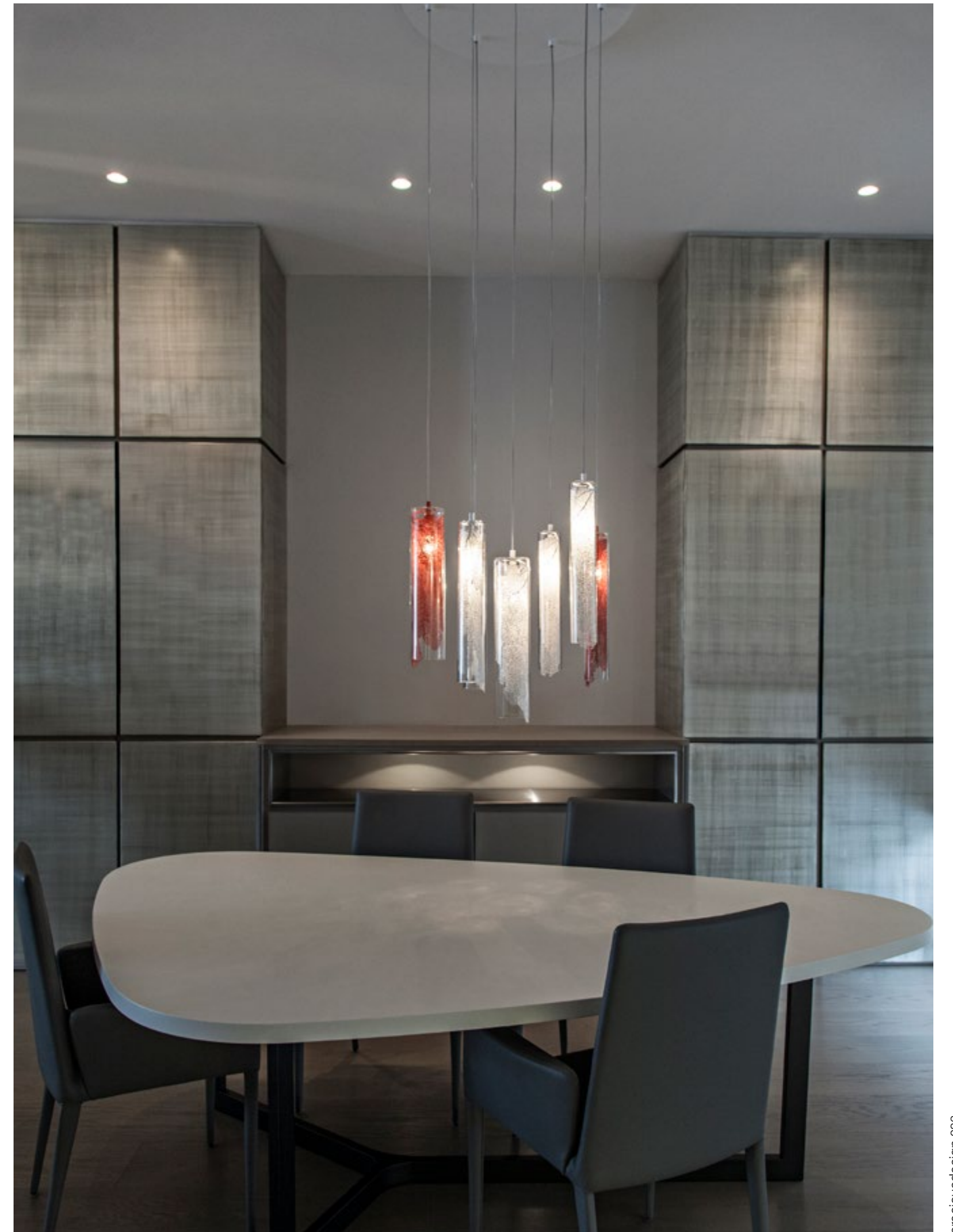


Frame, Nature's *Imprint.*

Capturing a moment in time, Frame features a metal coral leaf, enclosed inside a borosilicate glass preserving a delicate imprint of nature. Hidden inside is a single bulb which glows from within. Creating a stirring light that projects a dynamic shadow due to the permeable coral. Frame is available in white, red, gold plated or silver plated. Design Terzani Lab.





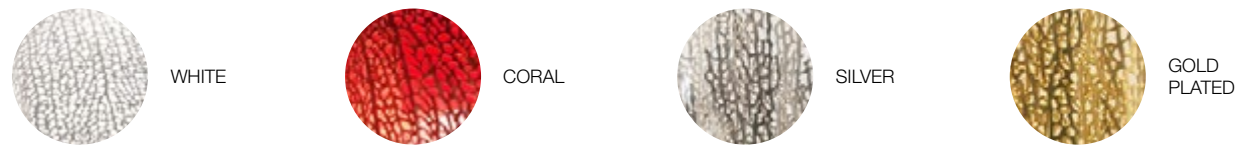
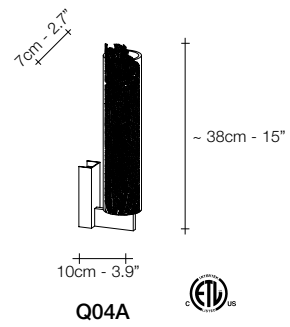
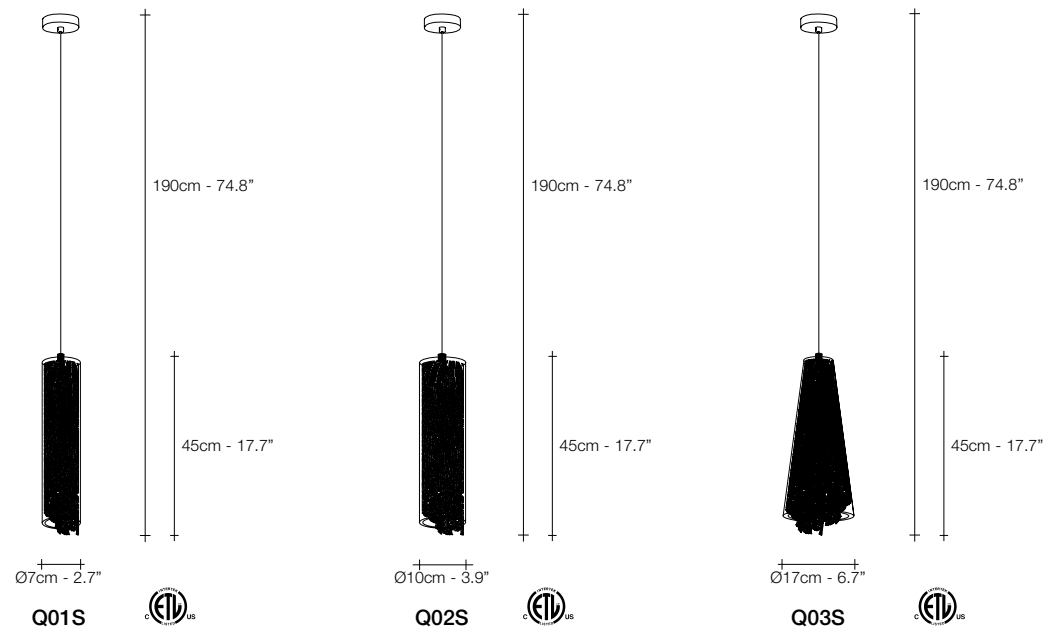




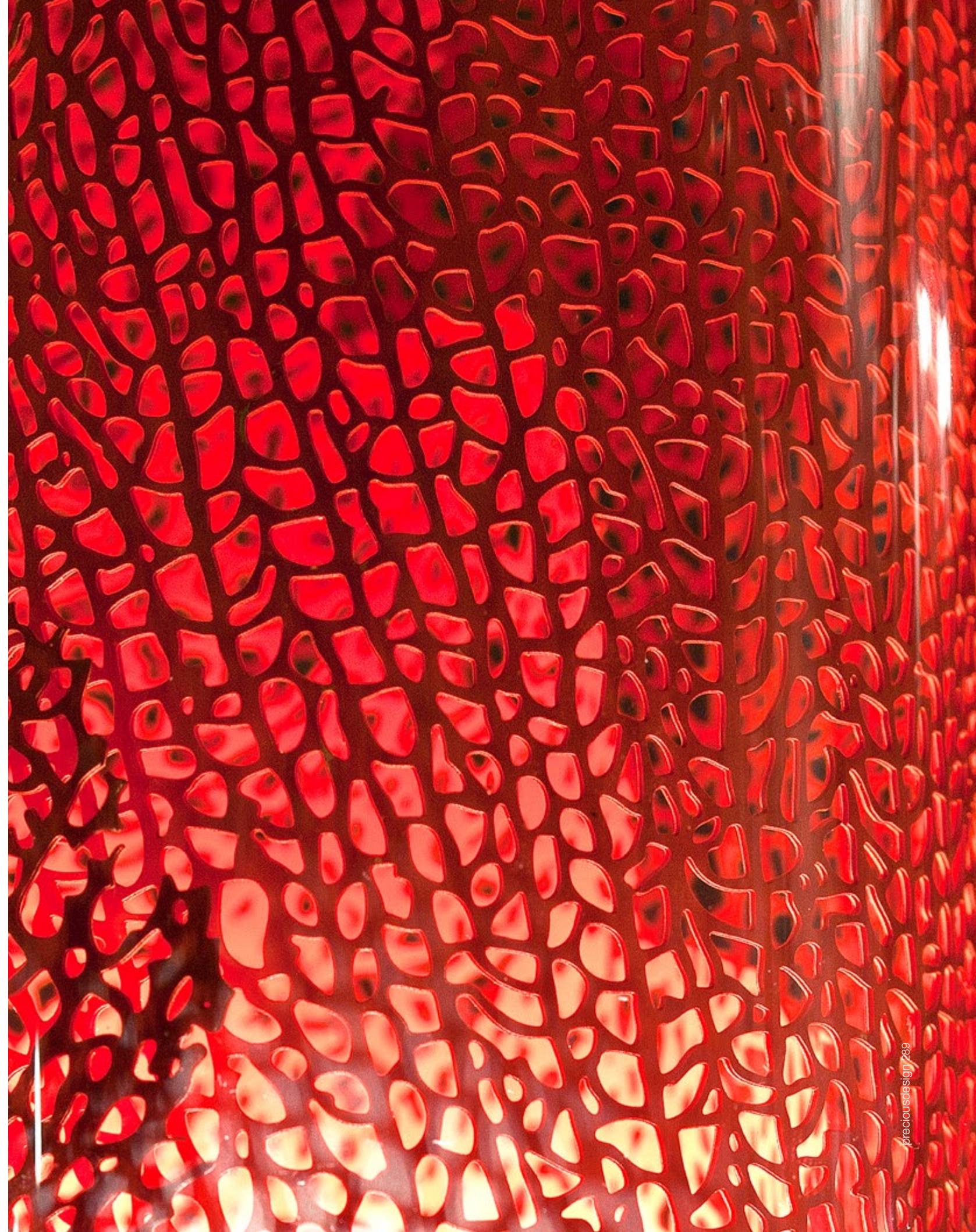


White and clear





RECOMMENDED BULB		Q01S	Q02S	Q03S	RECOMMENDED BULB		Q04A
230V	E14 LED	4W	4W	4W	230V	G9 LED	3,5W
	Dimmable with all systems	-	-	-		Dimmable with all systems	-
120V	E12 LED	4W	4W	4W	120V	G9 LED	4W
	Dimmable with all systems	-	-	-		Dimmable with all systems	-



Calle, Perennial *Elegance.*

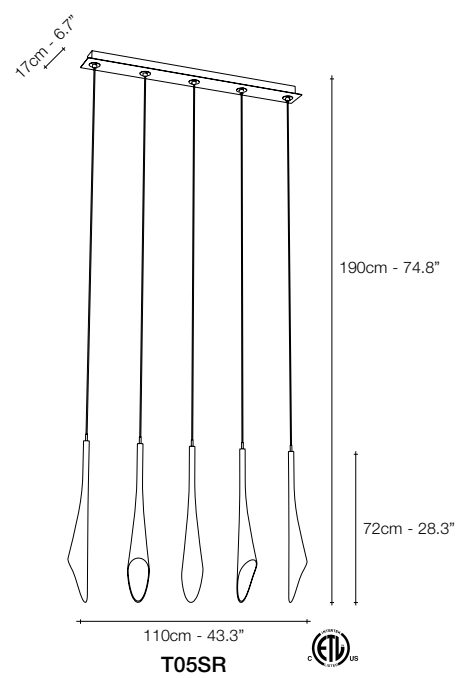
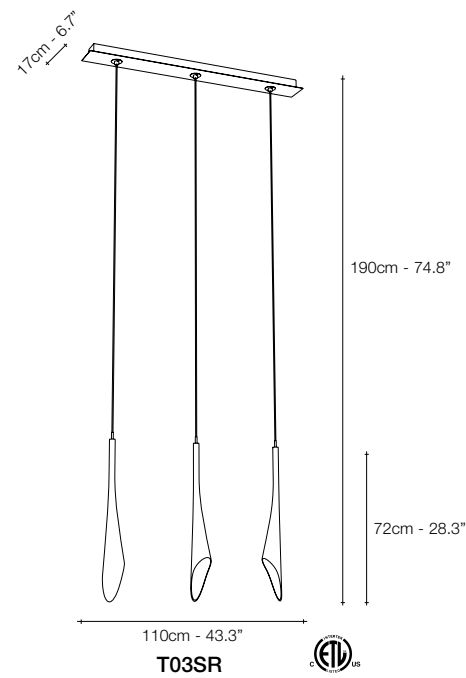
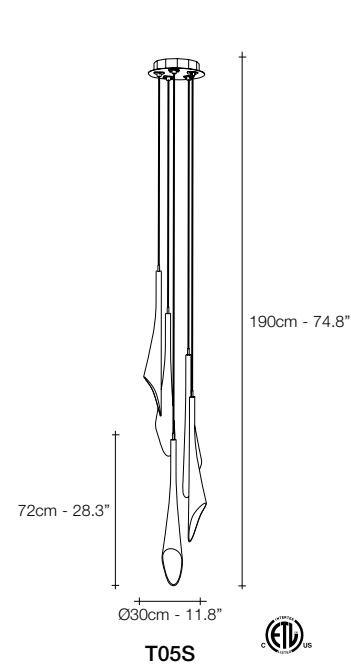
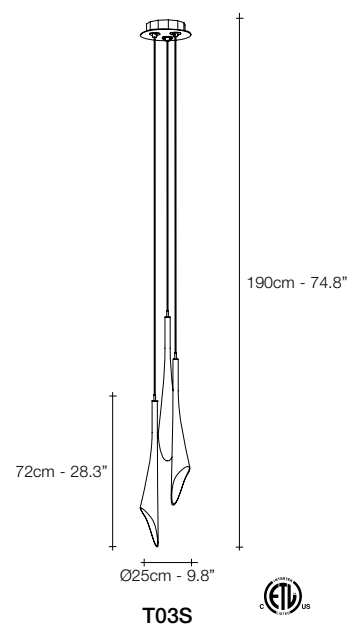
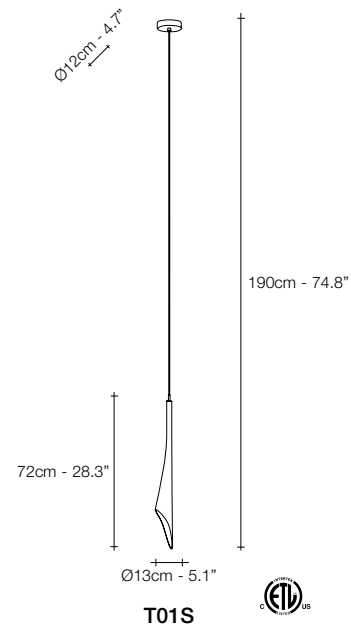
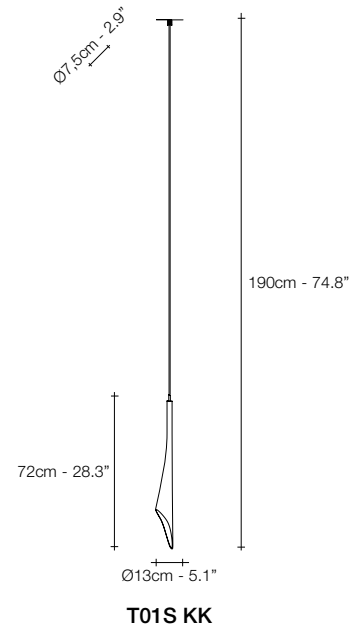
At Terzani, we spend countless days searching the globe for talented new designers, but sometimes they find us. Such is the case with the young designers Luca Martorano and Mattia Albicini who approached us with the design for Calle, a fantastic a new light we instantly fell in love with. It showcases our skill at crafting crystal to take the material to an exciting, modern place. Luca and Mattia worked with our craftsmen to create a slender inverted flute of crystal that, like the calla lily it mimics, can be grouped into stunning bouquets of light. Design Draw.











WHITE
CRYSTAL

	RECOMMENDED BULB	T01S KK	T01S	T01S	T03S	T05S	T03SR	T05SR
230V	G4 LED	2W	2W	3W	3x2W	5x2W	3x2W	5x2W
	G4 HALOGEN	20W	20W	20W	3x20W	5x20W	3x20W	5x20W
	Dimmer	IGBT 0/1-10V 10-100KΩ PUSH/DALI	IGBT TRIAC DALI	DALI	IGBT DALI	IGBT 1-10V 10V PWM DALI	IGBT DALI	IGBT 1-10V 10V PWM DALI
120V	G4 LED	2W	2W	-	3x2W	5x2W	3x2W	5x2W
	G4 XENON	20W	20W	-	3x20W	5x20W	3x20W	5x20W
	Dimmer	IGBT TRIAC	IGBT TRIAC	-	IGBT TRIAC	IGBT TRIAC	IGBT TRIAC	IGBT TRIAC

Calle can be manufactured to work with LED light source on request, different dimming options on request

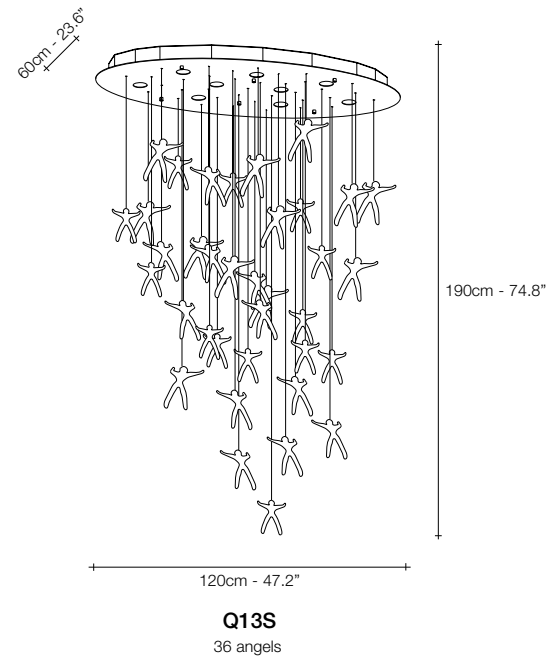
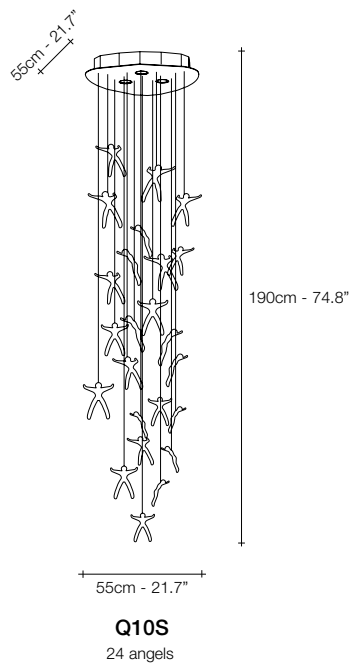
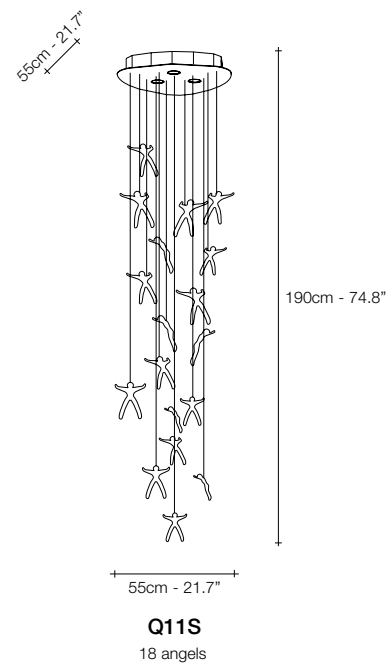
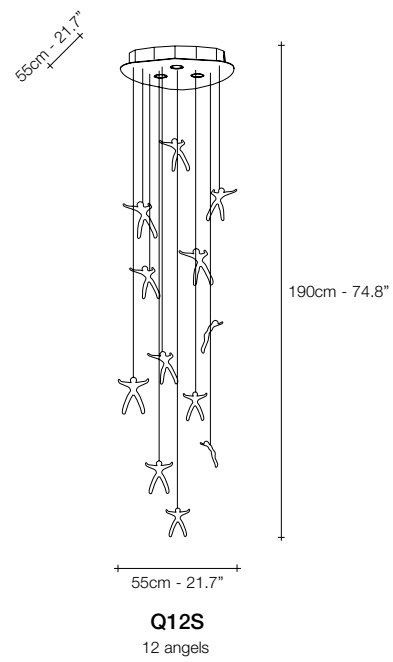
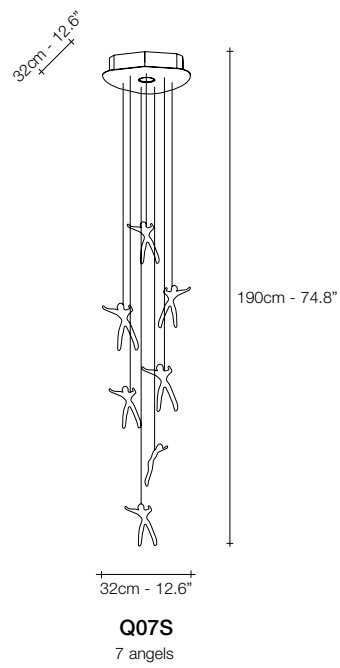


Angel Falls, Cast down *Earth.*

For his first work for Terzani, Nigel Coates, well known for his unorthodox approach to design, has created an engaging, unique light. Customizable groups of crystal “angels” are illuminated by halogen lamps. What caused these angels to fall from the heavens? It’s up to the viewers to decide. Either way, angel falls is sure to garner attention, and generate conversation, in any setting. Design Nigel Coates.







CRYSTAL

RECOMMENDED BULB	Q07S	Q12S	Q11S	Q10S	Q13S
230V GU10 LED	5W	3x5W	3x5W	3x5W	9x4W
Dimmable with all systems	-	-	-	-	-
120V GU10 LED	7W	3x7W	3x7W	3x7W	9x6W
Dimmable with all systems	-	-	-	-	-

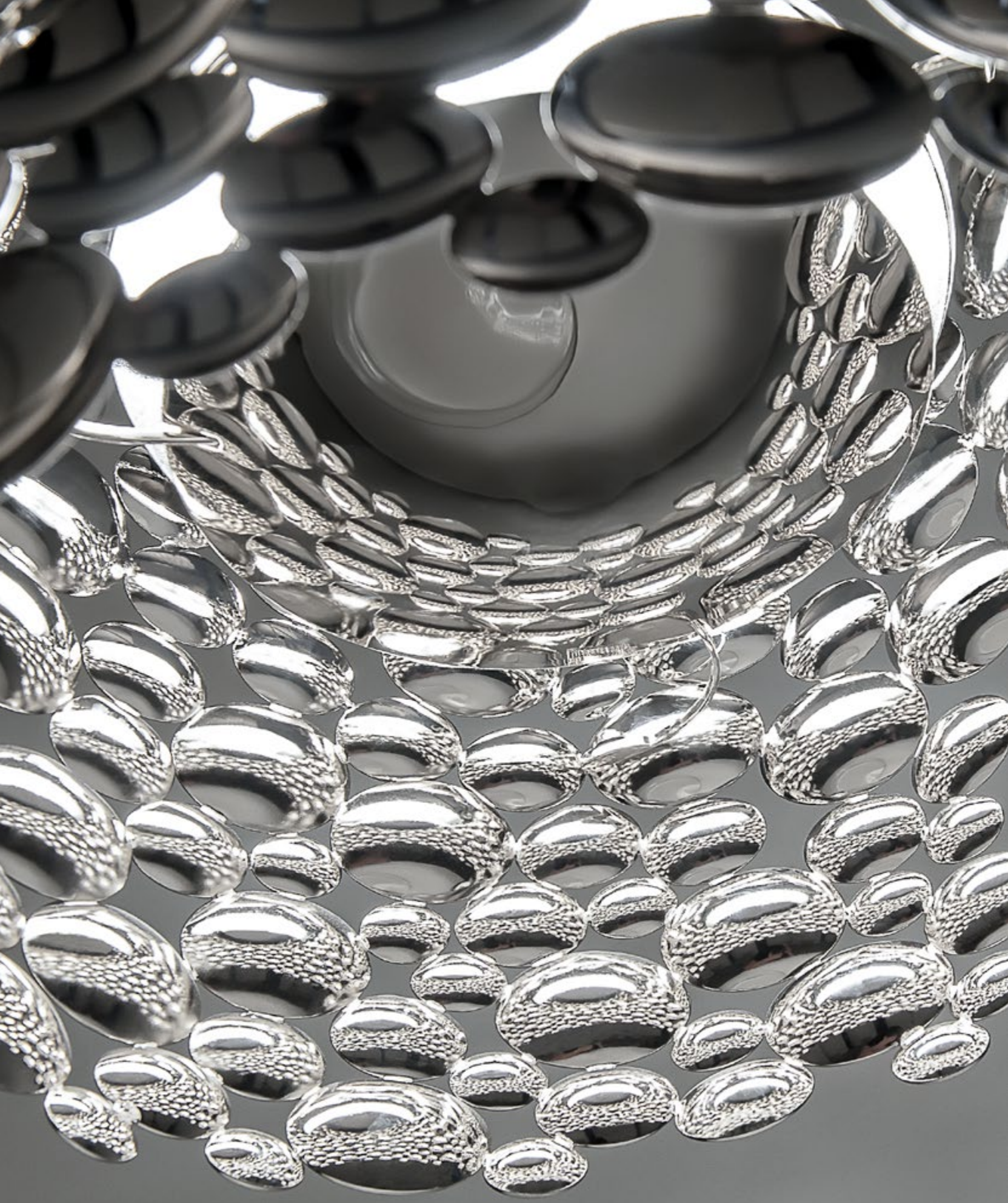


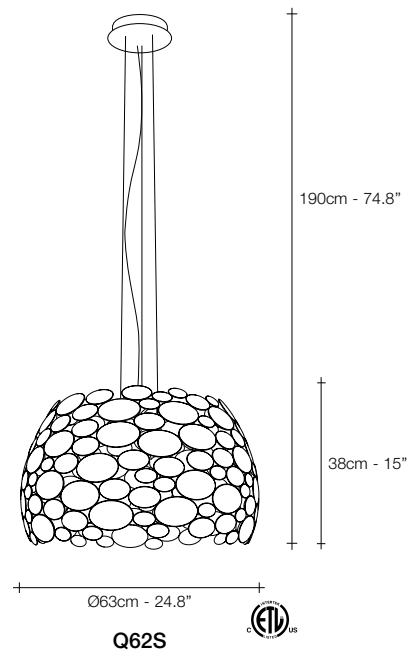
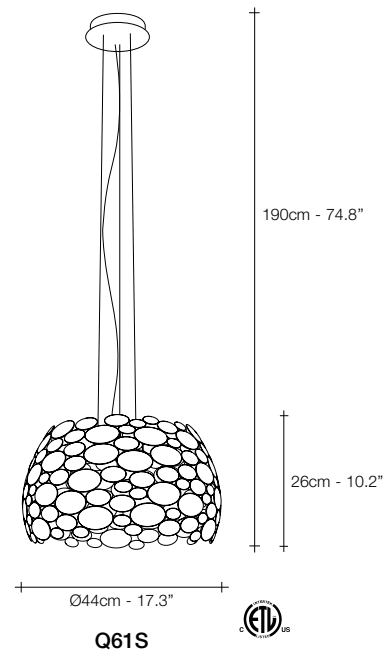
Anish, Playing *Spoons.*

A playful study of reflection, the idea for Anish was born when designer Dodo Arslan, while playing with his daughter, became fascinated by the almost infinite reflections spoons unleashed due to their concave and convex surfaces. Taking this idea to a larger scale, Dodo took inspiration from Italian flatware manufacturer and created a pendant composed of a range of spoons from the smallest teaspoon to serving spoons which magnifies the reflective quality of this shape. The result is an installation that creates a “galaxy” effect of seemingly endless light. Design Dodo Arslan.



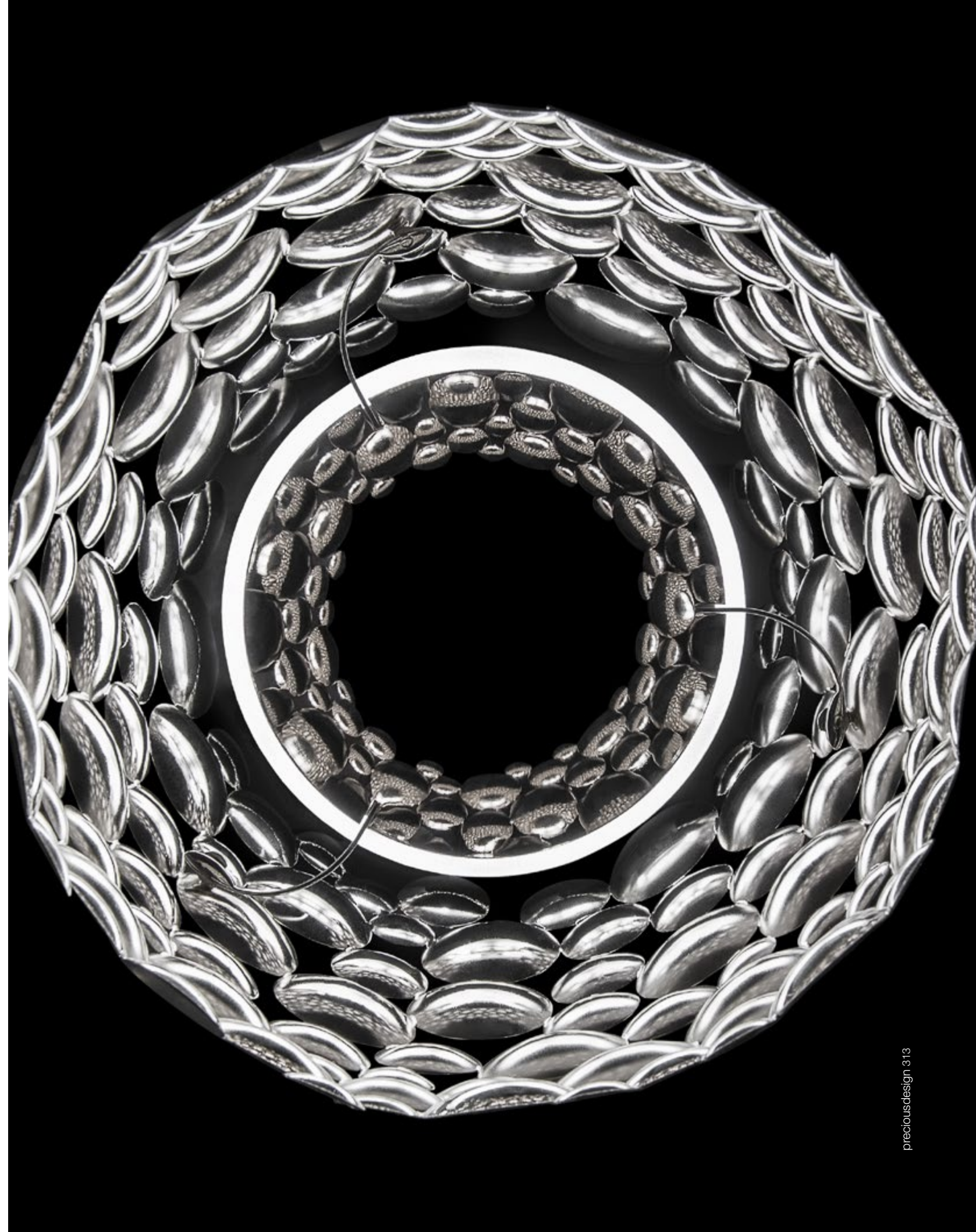






	INTEGRATED LED	Q61S	Q62S
230V	LED BOARD	6x4,5W	6x4,5W
	CRI 90	3990lm	3990lm
120V	LED BOARD	6x4,5W	6x4,5W
	CRI 90	3990lm	3990lm
230V	Dimmer	0/1-10V PWM 10-100KΩ PUSH/DALI	0/1-10V PWM 10-100KΩ PUSH/DALI
	120V	1-10V PWM 10-100KΩ	1-10V PWM 10-100KΩ

Anish can be manufactured to work with integrated LED boards 3000K or 2700K. Different dimming options on request



G.r.a., gyrating Romantic *rings of Light.*

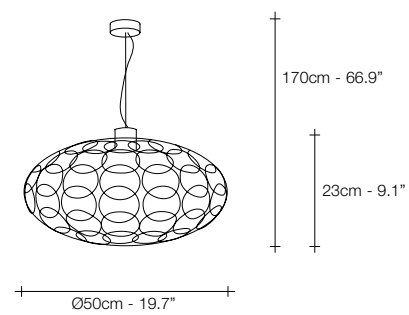
This clean, precise form is the result of hours of labor by our artisans, who meticulously weld each ring together. G.r.a. is a delicate, refined pendant whose intricate shape belies its romantic glow. Available as an oval or a sphere, and finished in nickel or gold, G.r.a. serves as an elegant, unobtrusive complement to any room. Design Bruno Rainaldi.



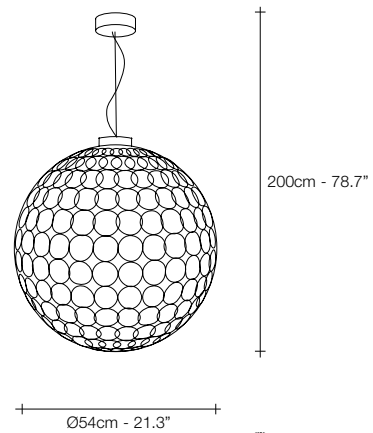




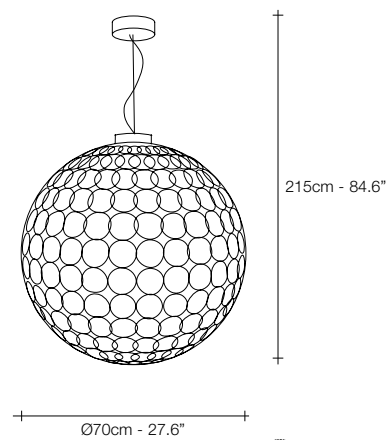




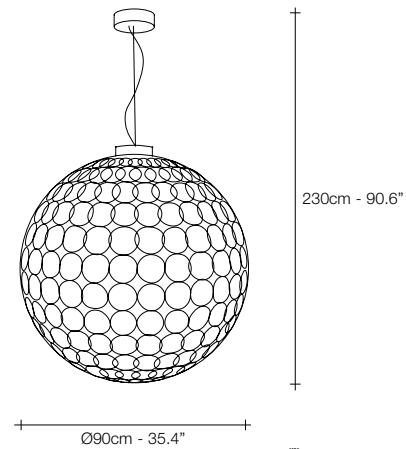
N41SL



N43SL



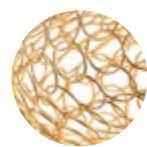
N42SL



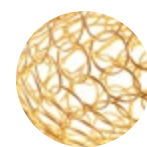
N40SL



NICKEL



GOLD LEAF



GOLD PLATED

INTEGRATED LED		N41SL	N43SL	N42SL	N40SL
230V	COB LED CRI 90	18W 1640lm	18W 1640lm	18W 1640lm	18W 1640lm
	Dimmer	1-10V PUSH/DALI	1-10V PUSH/DALI	1-10V PUSH/DALI	1-10V PUSH/DALI
120V	COB LED CRI 90	18W 1640lm	18W 1640lm	18W 1640lm	18W 1640lm
	Dimmer	1-10V PUSH	1-10V PUSH	1-10V PUSH	1-10V PUSH

G.r.a. can be manufactured to work with integrated LED 3000K or 2700K. Different dimming options on request.



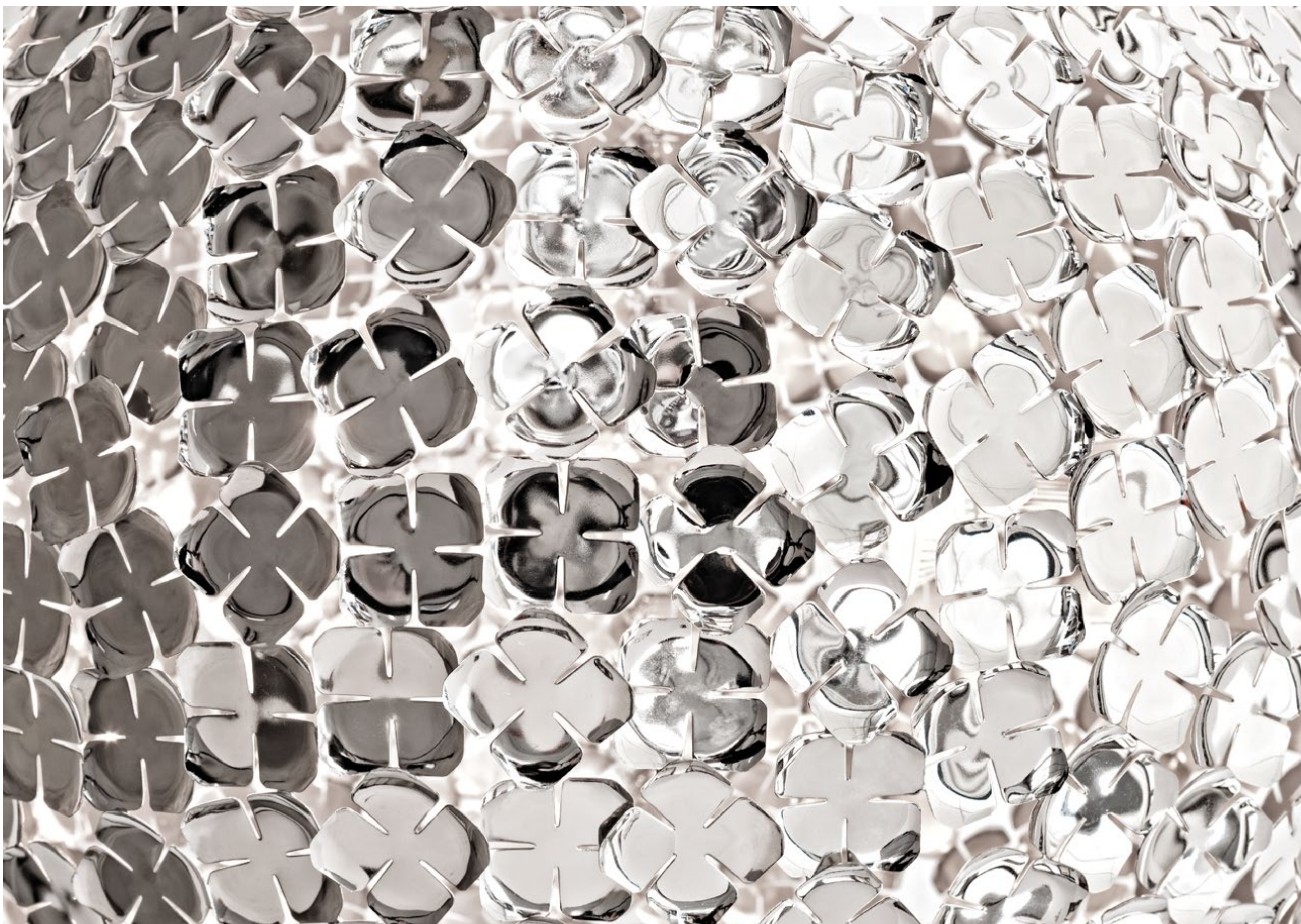
Orten'zia, Petals of *Light.*

Recalling the natural beauty of a flower, Orten'zia hand-soldered "petals" emanate a unique glow, immersing the entire room in a glimmering light. An organic radiance is created through light and shadow, planting a garden within the room. Available in either nickel or gold plated, the orten'zia's elegant form complements its dramatic light. Design Bruno Rainaldi.

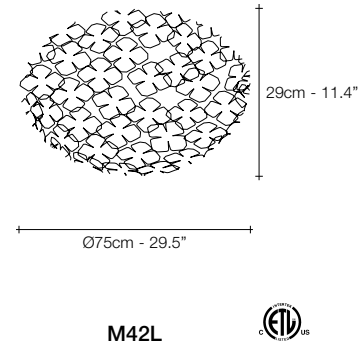
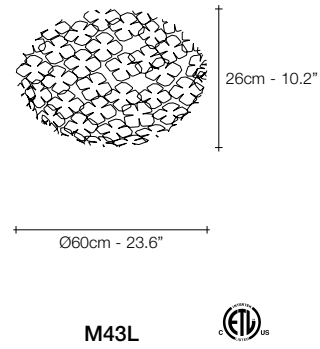
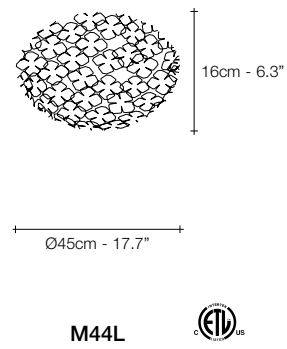
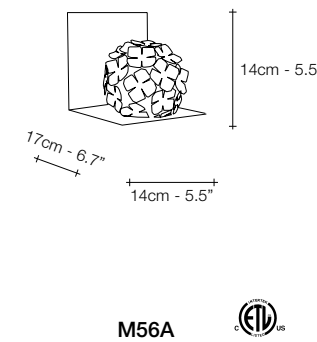
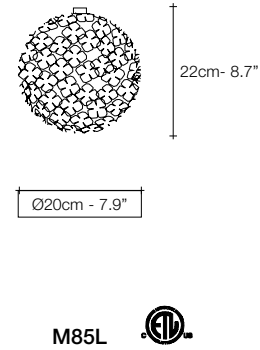
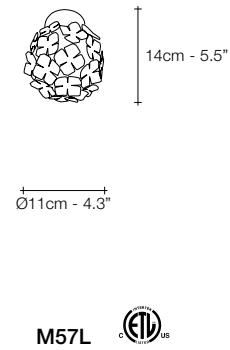
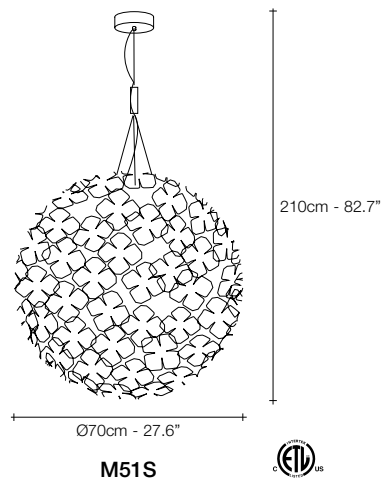
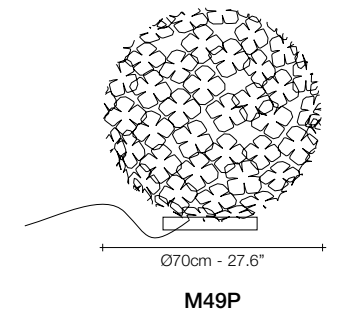
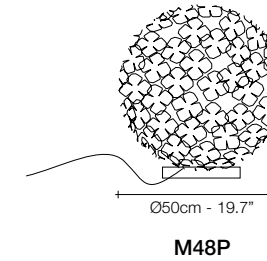
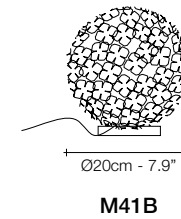
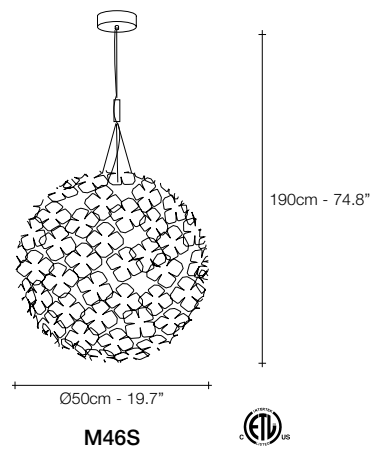
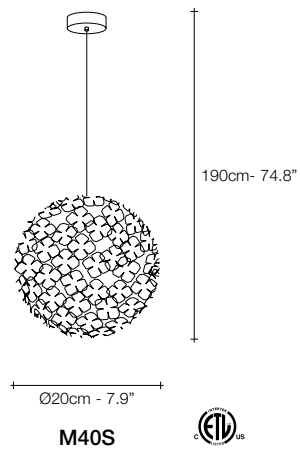
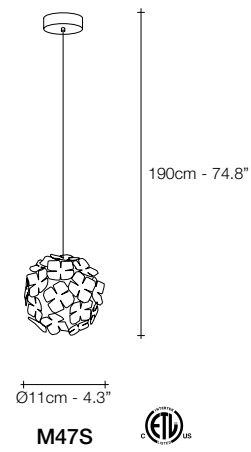












RECOMMENDED BULB	M40S	M41B
230V E14 LED	4W	4W
Dimmer	all systems integrated	
120V E12 LED	4W	4W
Dimmer	all systems integrated	

RECOMMENDED BULB	M46S	M43L	M42L	M48P	M49P
230V E27 LED	15W	11W	15W	11W	15W
Dimmable with all systems	-	-	-	integrated	integrated
120V E26 LED	15W	11W	15W	11W	15W
Dimmable with all systems	-	-	-	integrated	integrated

RECOMMENDED BULB	M44L
230V R7s HALOGEN	120W
Dimmable with all systems	-
120V R7s HALOGEN	150W
Dimmable with all systems	-

RECOMMENDED BULB	M47S	M57L	M85L	M56A
230V G9 LED	3,5W	3,5W	4W	3,5W
Dimmable with all systems	-	-	-	-
120V G9 LED	4W	4W	5W	4W
Dimmable with all systems	-	-	-	-

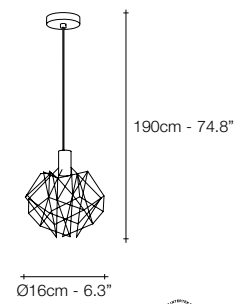
Etoile, Twinkling in an *indoor Sky.*

Etoile's intricate network of intersecting nickel lines recalls constellations in a clear night sky. Strategically placed bulbs cast a starry light, twinkling as viewers move around the pendant. Through projecting these complex patterns throughout the room, Etoile casts a heavenly glow in any space. Design Christian Lava.

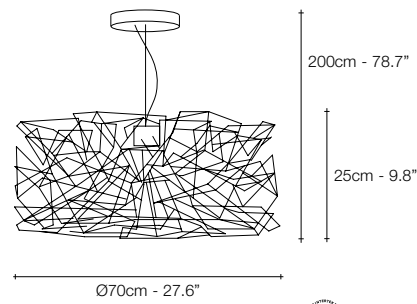




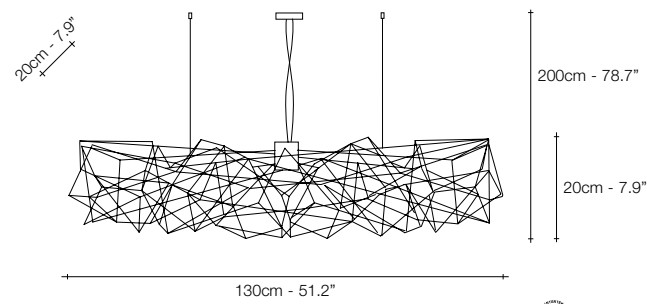




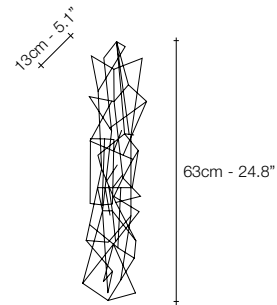
P05S



P01S



P04S



P03A



NICKEL

	RECOMMENDED BULB	P05S	P05S	P01S	P01S	P04S	P04S	P03A
230V	G4 HALOGEN	2W	3W	8x10W	16x1,2W	8x20W	8x2W	6x10W
	G4 LED	20W	10W	8x20W		8x20W	8x2W	6x2W
	Dimmer	IGBT TRIAC	DALI	IGBT TRIAC	0/1-10V 10V PWM 10-100kΩ PUSH/DALI	IGBT TRIAC DALI		IGBT
120V	G4 XENON	20W	-	8x10W	-	8x20W	6x10W	
	G4 LED	2W	-	8x20W	-	8x2W	6x2W	
	Dimmer	IGBT TRIAC	-	IGBT	-	IGBT TRIAC	IGBT TRIAC	

Etoile can be manufactured to work with LED light source on request, different dimming options on request

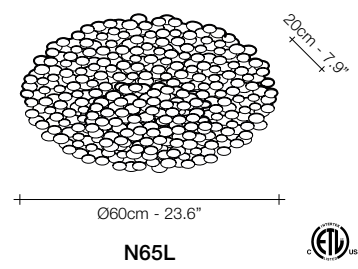
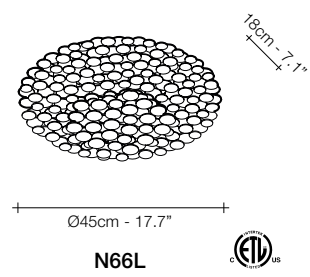
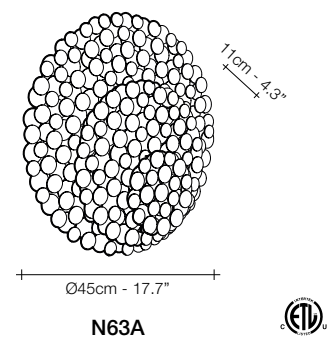
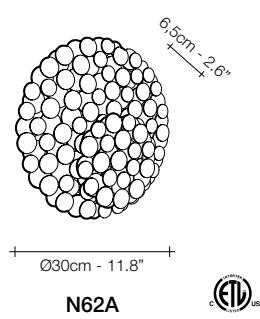
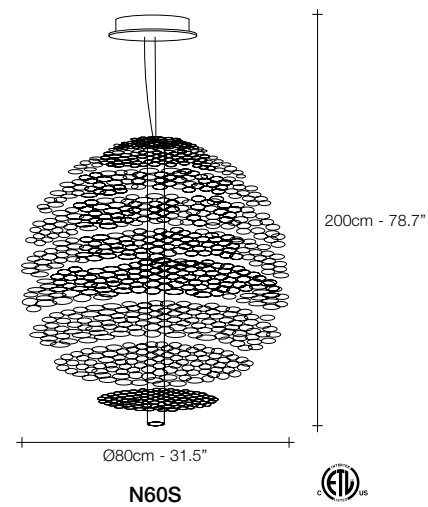


Tresor, a Wealth *of Light.*

An impeccable addition to any space, Tresor's hand-made design and precious metal "coins" create scintillating halos of light. Recalling discovered treasure, the layers of gold or silver leaf create a rich, luxurious light. Available in a range of sizes, including wall sconces and pendants, Tresor has an elegance that is truly priceless. Design Jean François Crochet.







GOLD LEAF



SILVER LEAF

	RECOMMENDED BULB	N60S	N62A	N63A	N66L	N65L
230V	G9 LED	9x3,5W	4W	2x4W	6x3,5W	6x3,5W
	Dimmable with all systems	-	-	-	-	-
120V	G9 LED	9x4W	5W	2x5W	6x4W	6x4W
	Dimmable with all systems	-	-	-	-	-



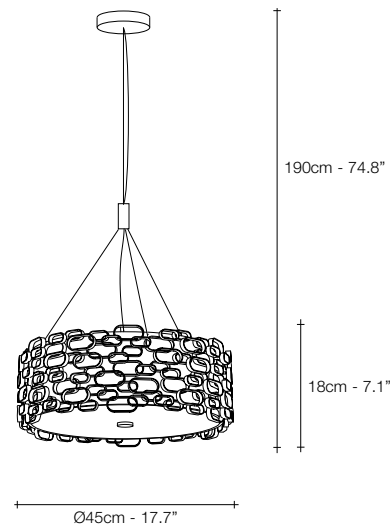
Glamour, Modern *Seduction.*

Glamour's randomly interspersed rings imbue this design with a seductiveness rarely applied to geometric shapes. Whether finished in gold, nickel or white, the diffused light emanating behind Glamour's rings bathes the surrounding area in a soft, sensuous glow. Available as a wall sconce, table lamp or pendant, glamour can provide subtle accents or act as the focal point of a room. Design Dodo Arslan.

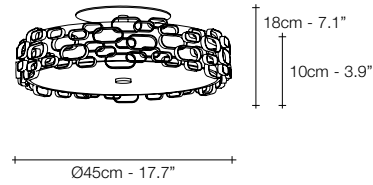





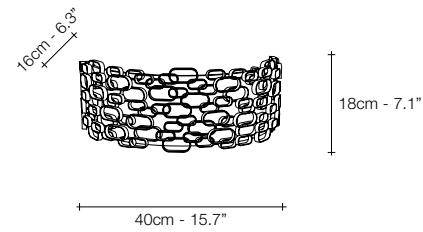




N16S 



N17L 



N18A 




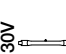

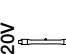
WHITE



NICKEL



GOLD PLATED

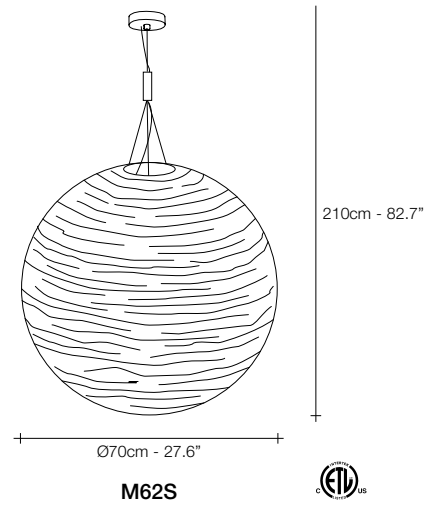
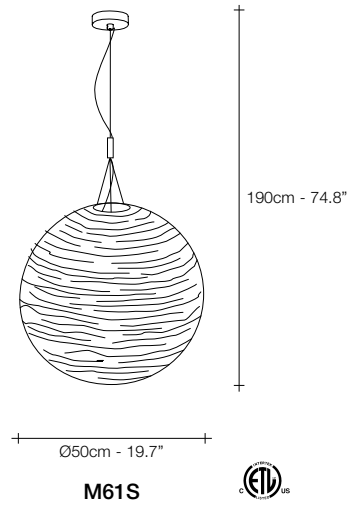
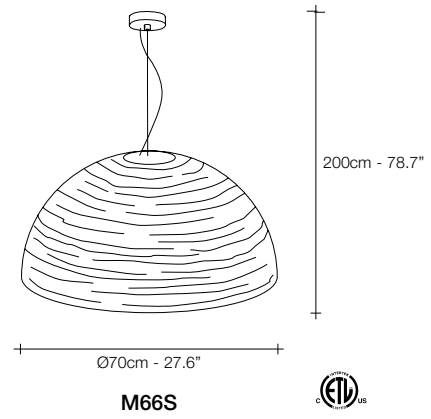
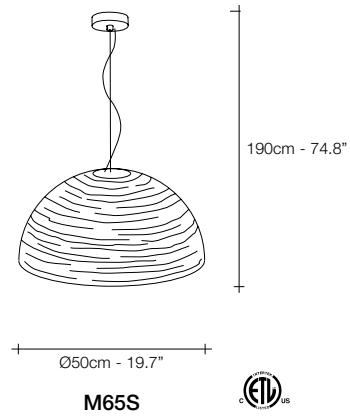
	RECOMMENDED BULB	N16S	N17L	RECOMMENDED BULB	N18A
230V 	E14 LED	3x4W	3x4W	230V  R7s HALOGEN LED	48W 13W 1100lm
	Dimmable with all systems	-	-	Dimmable with all systems	IGBT
120V 	E12 LED	3x4W	3x4W	120V  R7s HALOGEN	70W
	Dimmable with all systems	-	-	Dimmable with all systems	-



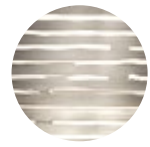
Magdalena, Cutting edge *Beauty.*

Reaching inside traditional forms, Magdalena's laser-cut, horizontal openings allow for its light to expand its range to the entire room. Creating an alluring pattern of light and shadow, Magdalena highlights the shape of the room itself. This unique exchange creates a pendant that impacts every space, regardless of size. Design Bruno Rainaldi.

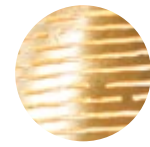




WHITE



NICKEL



GOLD LEAF

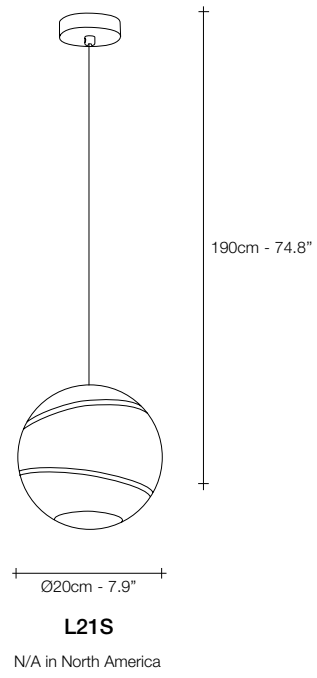
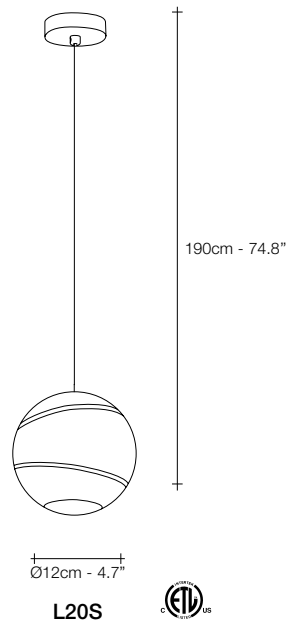
	RECOMMENDED BULB	M65S	M66S	RECOMMENDED BULB	M61S	M62S
230V	E27 LED globe	15W	15W	E27 LED	15W	15W
	Dimmable with all systems	-	-	Dimmable with all systems	-	-
120V	E26 LED globe	15W	15W	E26 LED	15W	15W
	Dimmable with all systems	-	-	Dimmable with all systems	-	-



Bond, brands of *Racing Light.*

Bond's bands of light expose a deceptively luxurious interior. Under the glass exterior, lays a core of gold leaf that creates a deep, complex radiance. The overall glow is intensified by incisions that emit focused, dramatic lines of light. Extremely versatile, Bond is available in three sizes; as either a pendant or a table/floor light; and with a black or white exterior. Whether alone or grouped together, Bond's light creates a dynamic atmosphere. Design Bruno Rainaldi.





CLEAR GLASS
WHITE | GOLD LEAF



CLEAR GLASS
BLACK | GOLD LEAF

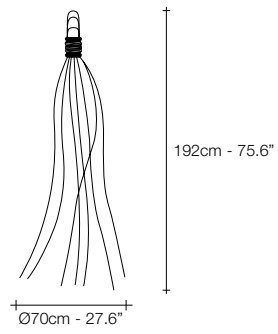
	RECOMMENDED BULB	L20S	RECOMMENDED BULB	L21S
230V	G9 LED	3,5W	E14 LED	5W
	Dimmable with all systems	-	Dimmable with all systems	-
120V	G9 LED	4W	-	-
	Dimmable with all systems	-	-	-



Hugo, a Welcome *Guest.*

Some designs are strong enough to stand alone. These are the pieces that transform spaces and inspire viewers. Hugo, a unique sculpture created by Terzani's master craftsmen, is composed of hand-forged metal stems, encasing a single light. With a graceful, delicate form, Hugo is a welcome guest in any space, intriguing and powerful. Design Jean François Crochet.





D20P



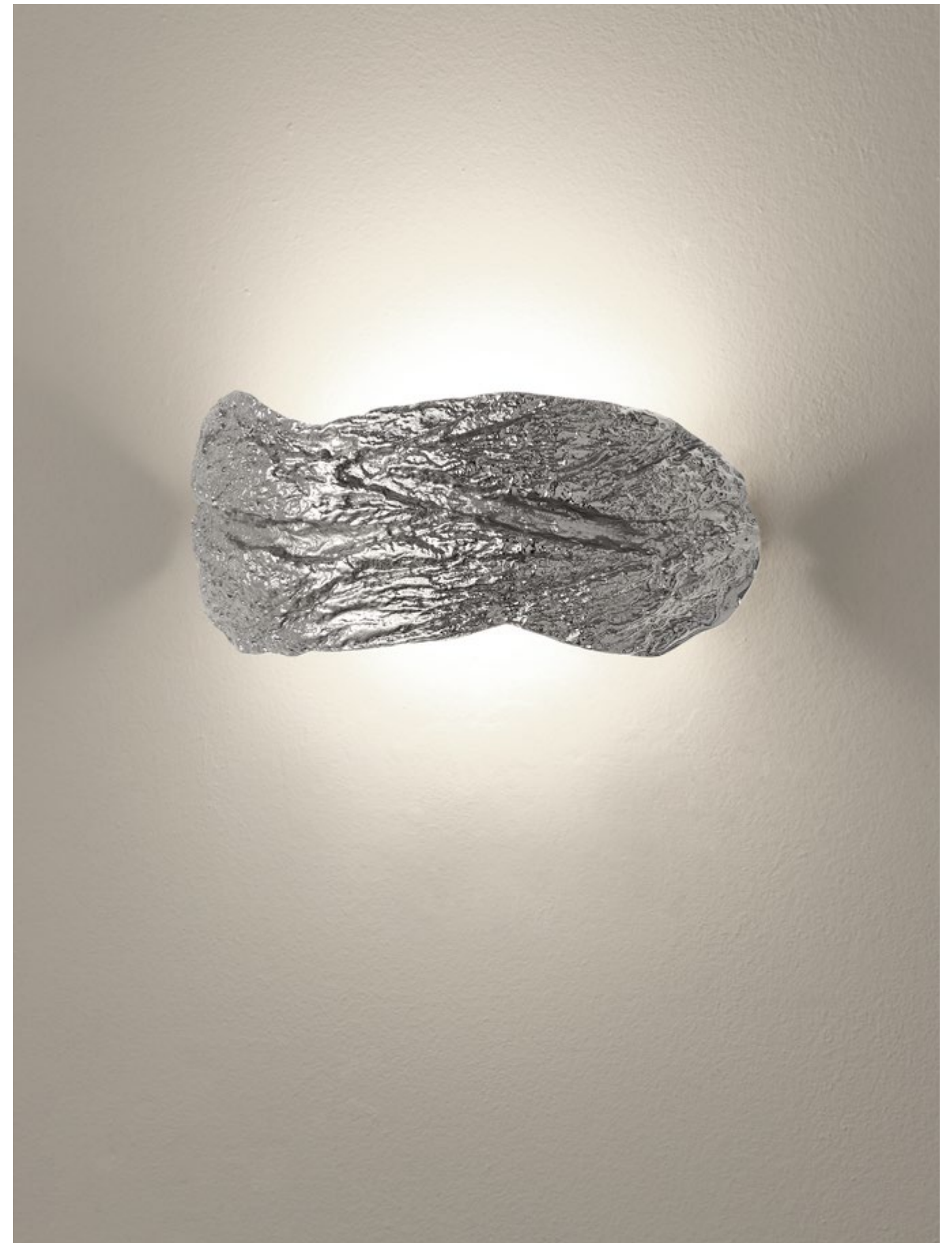
SATIN NICKEL

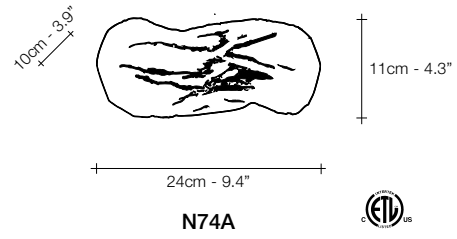
RECOMMENDED BULB		D20P
230V	E27 LED	15W
	Integrated dimmer	-
120V	E26 LED	15W
	Integrated dimmer	-



Wabi, Understated *Elegance.*

Influenced by the rustic simplicity of the mulberry tree, Nicolas Terzani set out to create a piece that delivered the same quiet, harmonious elegance. thus, wabi, available in white, gold-plated or silver-plated finish, which recalls the serenity and balance of its natural inspiration. the texture of wabi harnesses the anomalies of a cortex, resulting in a unique and classic light. Design Nicolas Terzani.





NICKEL



GOLD PLATED

RECOMMENDED BULB		N74A
230V	R7s HALOGEN	48W
	Dimmable with all systems	-
120V	R7s HALOGEN	70W
	Dimmable with all systems	-

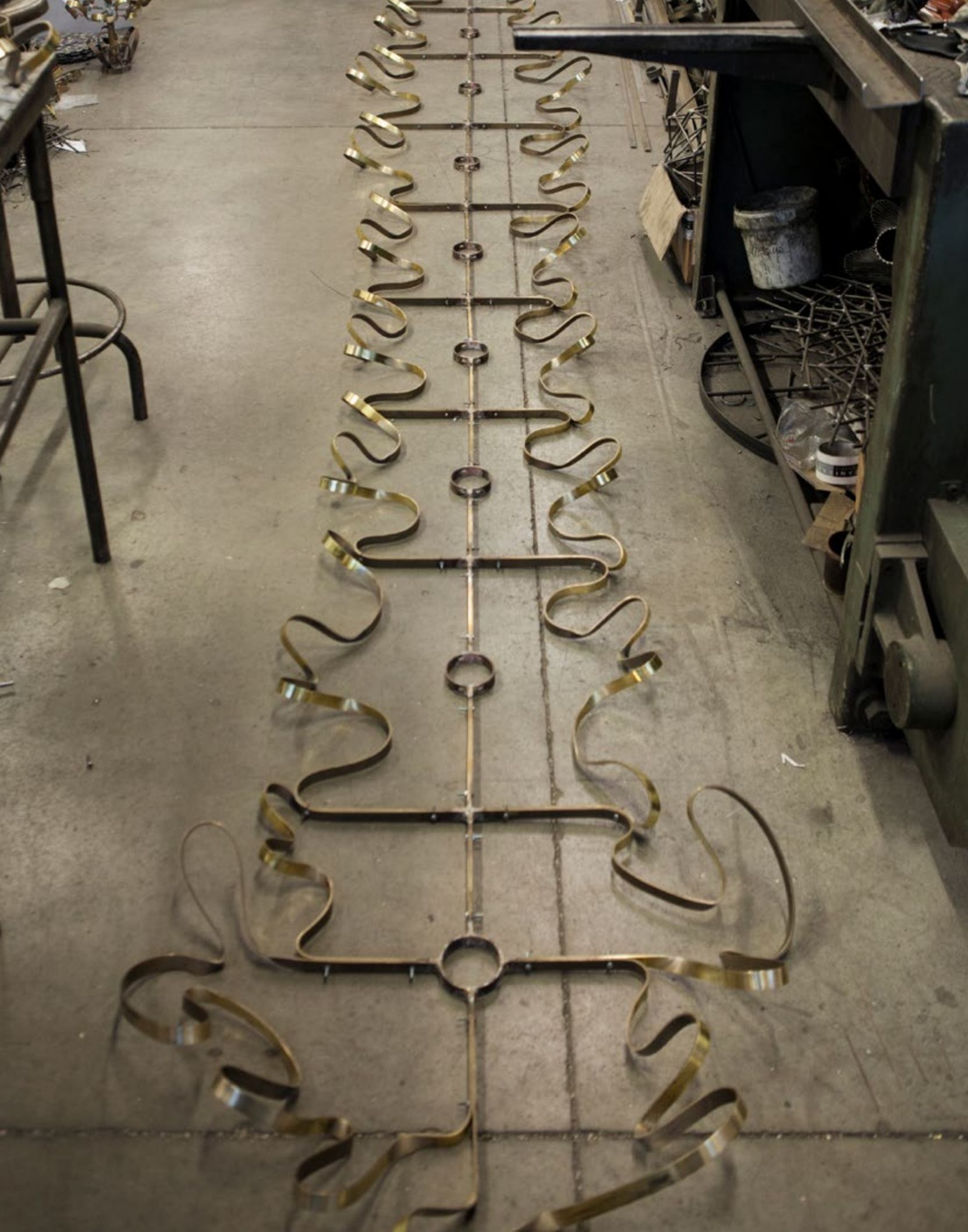


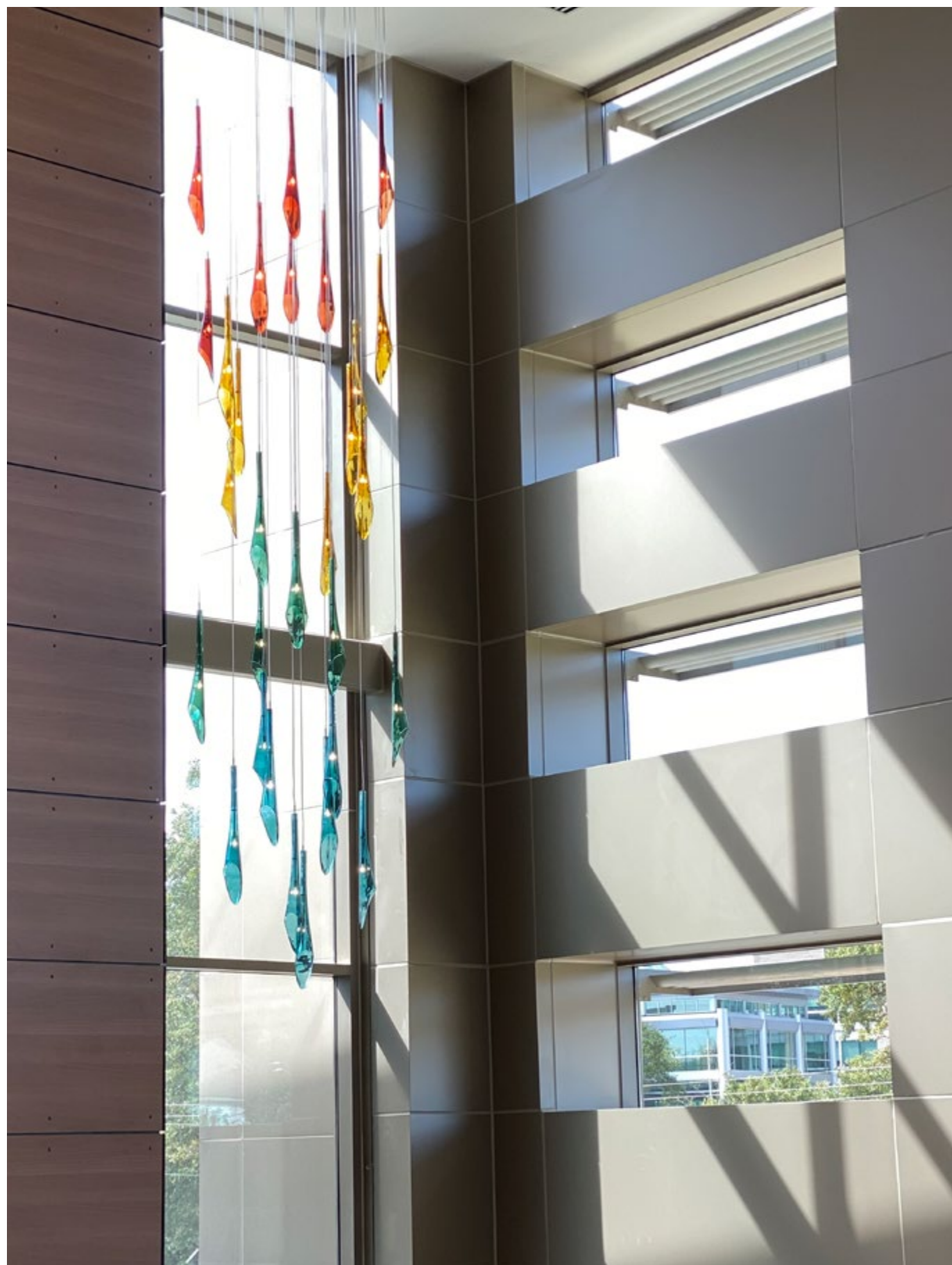


Be- spoke

Work with Terzani design team to bring to life your idea. From simple modification to more complex design changes.







Since the beginning, Terzani has always viewed esthetics as a way of interpreting natural and artistic beauty. Born in 1972 in Florence - Italy, the cradle of the Renaissance, the company was compelled to follow the creative invocations of the city. The word "esthetics" originates from the greek "aisthesis" which means "feeling" or, more precisely, knowledge created by the use of one's senses. When you look at a Terzani design, you can sense how its light enchantingly envelops the surrounding space. It's more than simply a practical, utilitarian design it's an esthetic that represents a modern and artistic beauty through the use of design and innovative technologies.

Intersection of art, luxury and design


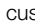
Terzani creations are always inspired by the dialogue between the company and the designers themselves. The pieces are born from a compelling feeling Nicolas articulates to his designers. This inspiration can be a shape that exists in nature, as you can see with the fish that inspired "I Lucci Argentati", or the stones/drops of water that inspired "Mizu", or a material or working method that attracts his attention. With the team of designers that work with the company, a project will be executed with all the necessary technical diligence, but the starting point that defines any Terzani light is always a feeling.

To create a style like what we at Terzani have established, you need to balance several characteristics. Terzani is elegant and sophisticated, innovative yet original. It uses the latest technology, but also incorporates fine materials crafted in a very artisan way. Each lamp is an object/sculpture that is meant to be fully integrated into its surroundings, spreading a charming and enchanting play of light. This creates an ever-changing dialogue between the lamp and the space around it. The feeling that Terzani exudes is one of harmony and togetherness. Its products are grounded in the human process, transmitting the handmade artisan traditions of lovingly crafting objects piece by piece. This is the essence of Terzani, which sees beauty in the contemporary world, tradition and the search for new forms and languages. Terzani continues to redefine the way luxury lighting is designed and produced. Through experimentation with new production methods and forward-thinking ideas, it has become known for designs that use sculpture, light, shadow and motion to reshape spaces.

These handmade products sit at the intersection of art, luxury and design. Following Terzani's artisan tradition, each "lighting sculpture" continues to incorporate traditional methods of processing glass and metal, along with giving individual attention to the every detail.

These designs are brought forth through the dialogue between Terzani and some of the world's most renowned designers. Terzani is proud to work with such talented artists as Dodo Arlsan, Barlas Baylar, Jean Francois Crochet, Nicolas Terzani, Nigel Coates, Maurizio Galante, Christian Lava, Studio 14, Draw, Simone Micheli, Franziska Hinze, Stefano Papi & Saviz Yaghmai, and others, to create the company's original style.

TERZANI
LA LUCE PENSATA

All products in the Terzani collections are inspired by a return to noble artisan traditions. Every object is carefully created using craft techniques and for this reason certain details may vary from product to product. These variations are not imperfections but characteristic peculiarities of the production process. Terzani reserves the right to modify its products in order to improve its features. Product reproduction on paper may result in a misrepresentation of some colors. For updated technical data please refer to our current price list or our website. For updates on etl  please visit our website or call our customer service. For  certification please refer to our current price list or our website. For information about Patent & Design Registration please visit: www.terzani.com/patents

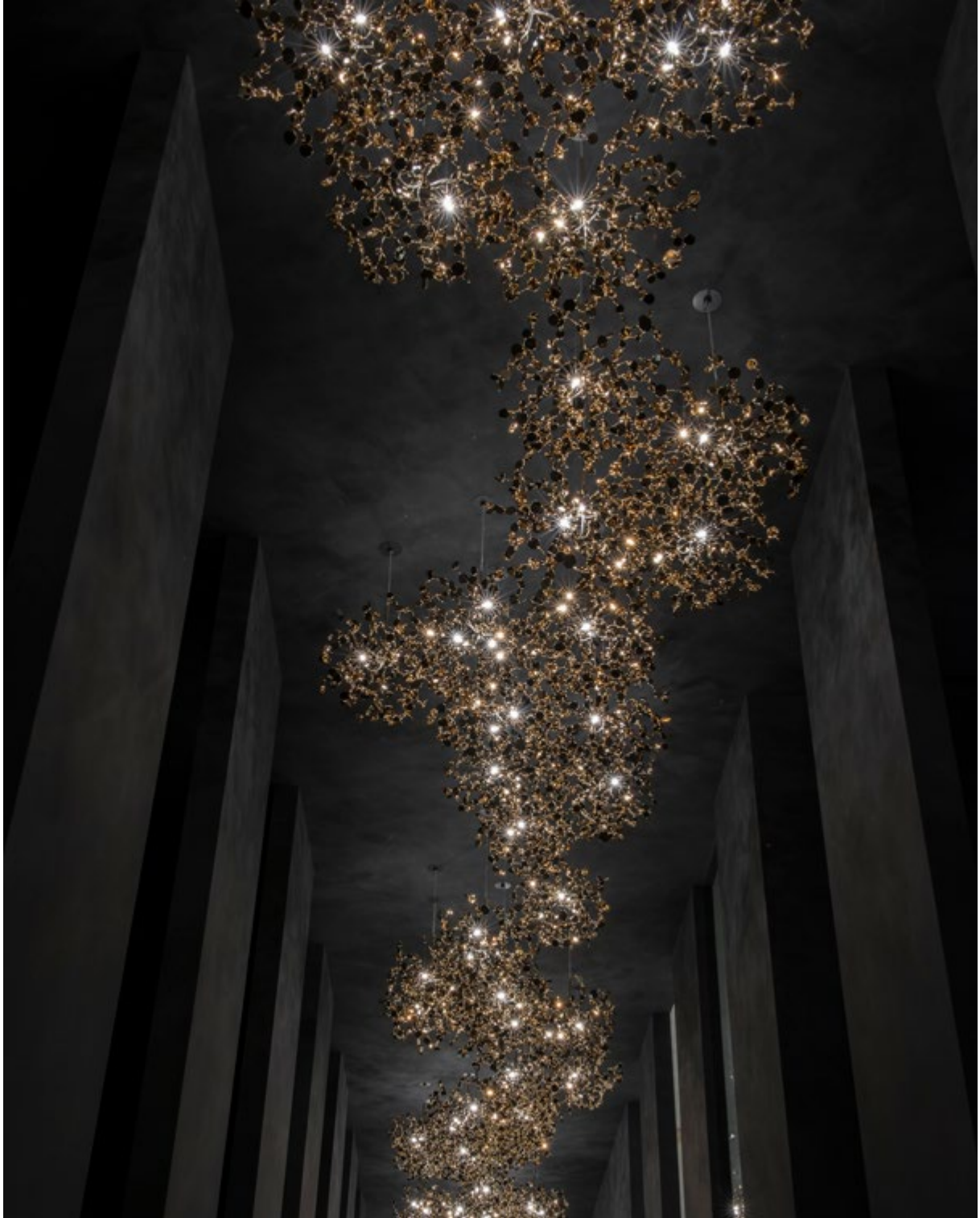
Creative Direction Terzani
Art Direction Camilla Cordella
Photos Leonardo Beglieri
Digital imaging Fulvio Gallotti
Printed on FSC eco-friendly paper
Eu (Italy) 2022
© **terzani 2022**

Headquarter & Showroom
Terzani srl
Via Castelpulci Int.9
50018 Scandicci Firenze Italy
Office +39 055 722021
info@terzani.com

Headquarter USA & Showroom
Terzani USA, Inc.
2501 SW 56th Ave
Pembroke Park FL 33023
Office 954 438 7779
Toll free 1 866 380 5412
info@terzaniusa.com

terzani.com





TERZANI
LA LUCE PENSATA

terzani.com